



Split Plummer Block Housings SES

For shaft diameters of 20 mm to 160 mm and
 $\frac{3}{4}$ inch to 5 $\frac{1}{2}$ inch

Technical Product Information

Foreword

New generation of housings

Plummer block housings SES represent a completely new generation of housings. Through the systematic further development of the proven FAG plummer block housings, Schaeffler can offer even greater efficiency and cost-effectiveness for machinery and equipment.

The unique housing design increases the life of the bearings fitted in the housing. This is due to the optimised load distribution in the bearing achieved through the interaction of the bearing geometry and housing geometry under load.

The key advantages

- longer bearing life due to the innovative housing design, giving lower maintenance and downtime costs for the entire machine or plant
- An improved material increases the rigidity of the housing. As a result, the robust housing is even more suitable for aggressive environmental conditions.
- optimal heat dissipation through large and uncoated support faces
- A grease outlet hole allows the controlled escape of superfluous and used grease.
- Different sealing variants allowing matching to an environment with particularly harsh contaminant and dust conditions.
- Markings identify sensor connection points for condition monitoring.
- Indentations indicating the housing centre, ensuring rapid and simple alignment of the housing.
- Serial numbering on both halves of the housing, ensuring their correction allocation. Simple allocation means that incorrect transposition between the pairs of upper and lower housing sections is less likely to occur.
- simplified housing selection due to a new system of housing designations based on ISO 113

Schaeffler housing range

Schaeffler offers an extensive range of bearing housings and housing units. Further information can be found in the following publications:

GK 1 | Bearing Housings |
<https://www.schaeffler.de/std/1FC0>

SG 1 | Radial insert ball bearings and housing units |
<https://www.schaeffler.de/std/1B64>

Contents

1	Housing design.....	6
1.1	Accessories.....	7
1.2	Modular concept.....	9
1.3	Locating and non-locating bearings	9
1.4	Housing configurations	10
1.4.1	Possible combinations.....	10
1.4.2	Mounting of split spherical roller bearings	11
1.5	Advantages of the detailed design.....	12
1.5.1	Lubrication holes.....	12
1.5.2	Marked connection points for condition monitoring	13
1.5.3	Grease outlet hole.....	13
1.5.4	Indentations indicating the housing centre	13
1.5.5	Serial numbering of housing halves	13
1.5.6	Dismounting notches	14
1.5.7	Projection of upper housing section	14
1.5.8	Marked positions for additional fixing holes	14
1.5.9	Marked positions for pins	14
1.5.10	Improved material	14
2	Suitable bearings.....	15
3	Materials, corrosion protection	16
4	Load carrying capacity	17
5	Lubrication	19
5.1	Greases	19
5.2	Grease quantities for initial greasing	19
5.3	Relubrication	21
5.3.1	Lubrication holes.....	21
5.3.2	Grease outlet hole.....	22
5.3.3	Dimensions	22
5.4	Automatic lubricators	23
6	Seals and covers	24
6.1	Double lip seals EDH	24
6.2	Felt seals EFS	24
6.3	Labyrinth seals ETS.....	25
6.4	V ring seals EDV	25
6.5	Taconite seals ETC	25
6.6	Covers EDK	25
6.7	Covers EDKT	25
6.8	Overview of characteristics and operating ranges	25

7	Dimensions, tolerances	27
7.1	Dimensions.....	27
7.2	Tolerances for the bearing seat.....	27
8	Structure of the ordering designation.....	28
8.1	Ordering examples	30
9	Design of the adjacent construction	32
9.1	Surface quality of the mounting surface.....	32
9.2	Horizontal fixing of the housing.....	32
9.3	Additional holes for foot screws and pins.....	32
9.4	Permissible shaft end designs	34
9.5	Shaft design	35
10	Fitting and dismantling.....	36
10.1	Location of bearings with a tapered bore on the shaft.....	36
10.2	Location of bearings with a cylindrical bore on the shaft.....	36
10.3	Eye bolts.....	37
10.4	Foot screws.....	37
11	Product tables.....	38
11.2	Split plummer block housings SES, dimensions.....	40
11.3	Split plummer block housings SES, accessories, bearings with tapered bore and adapter sleeve..	42
11.4	Split plummer block housings SES, accessories, bearings with cylindrical bore.....	72

1 Housing design

Split plummer block housings and the associated bearings form bearing arrangement units that can be matched, through the appropriate selection of accessories, to a wide range of applications. Applications include agricultural machinery, the paper processing industry, mining, materials processing, the steel industry and power stations.

Split plummer block housings SES are available in the following design variants:

- standard design with 2 extended slots for foot screws
- special design with 4 holes for foot screws

Housings of size SES524-620 and larger have 1 eye bolt.

Bearing housings, standard design

Housings in the standard design have 2 extended slots for location with 2 foot screws.

1 Split plummer block housings SES, standard design



001AF9FF

Bearing housings, special design with 4 holes for foot screws

Housings with 4 holes for foot screws are available as a special design by agreement. These are indicated by the suffix G944DB in the ordering designation.

Hole dimensions ►32|9.3

2 Split plummer block housings SES, special design with 4 holes for foot screws



00168249

1.1 Accessories

Accessories must be ordered separately.

Seals

Detailed information ► 24 | 6

3 Double lip seals EDH



4 Felt seals EFS



④5 Labyrinth seals ETS



④6 V ring seals EDV



④7 Taconite seals ETC



Covers

Detailed information ► 24 | 6

④8 Covers EDK made from plastic



9 Covers EDKT made from steel and FKM



Locating rings

2 locating rings can be used to achieve a locating bearing arrangement ►9|1.3.

10 Locating rings FRM



1.2 Modular concept

The housings are designed in accordance with a modular concept. Each housing can be fitted with rolling bearings of various diameter series and width series if they have the correct outside diameter for the housing.

Depending on their design, the bearings can be located either directly on the shaft or by means of an adapter sleeve. This gives different shaft diameters for the same bearing size. The spacings between the shaft and housing body are compensated by means of appropriately matched seals.

1.3 Locating and non-locating bearings

The bearing seats in the housing are machined such that the bearings are movable and can thus function as non-locating bearings.

Locating bearing arrangements can be achieved by the insertion of 1 locating ring FRM on both sides of the bearing outer ring. The bearing is thus seated in the centre of the housing.

For each locating bearing, 2 locating rings FRM must be ordered separately.

1.4 Housing configurations

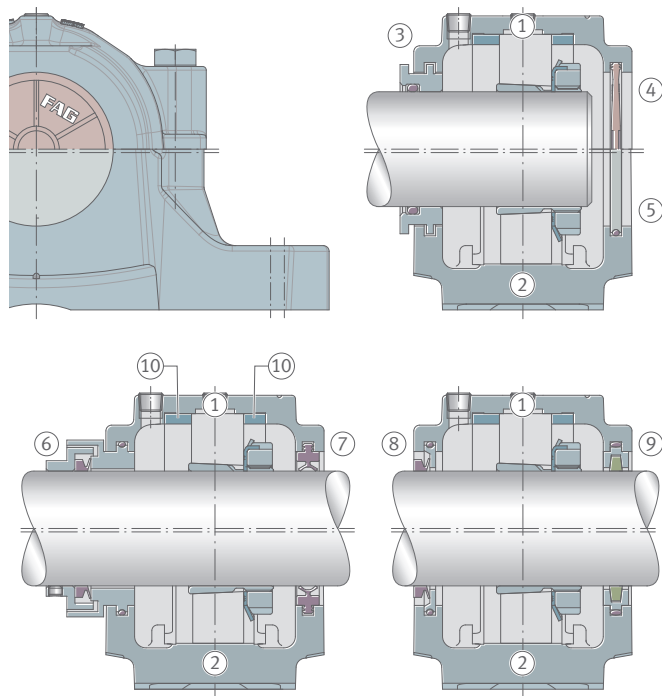
The modular structure of plummer block housings SES facilitates numerous possible combinations.

1.4.1 Possible combinations

On the basis of the standard components, the following features can be varied in the housing configuration:

- location: bearings with a tapered bore by means of an adapter sleeve on a shaft of constant diameter or bearings with a cylindrical bore directly on a stepped shaft
- sealing of housing by double lip seal, felt seal, labyrinth seal, V ring seal or Taconite seal
- continuous shaft with housing open on both sides or non-continuous shaft with housing closed on one side
- cover EDK made from plastic or cover EDKT made from steel
- design of the bearing arrangement as a non-locating bearing arrangement or as a locating bearing arrangement through the additional insertion of 2 locating rings FRM
- various bearing types

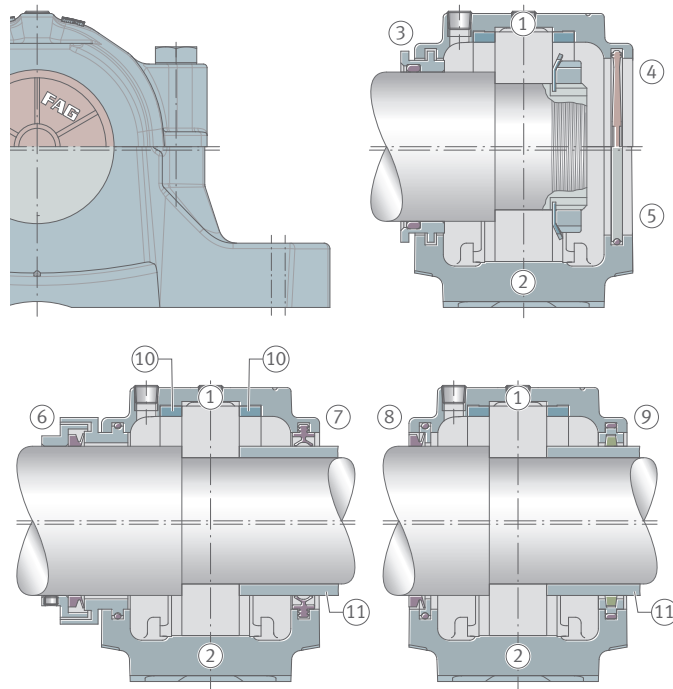
11 Plummer block housings SES for bearings with tapered bore and adapter sleeve, overview of combinations



001ADE80

1	Locating bearing	2	Non-locating bearing
3	Labyrinth seal ETS	4	Cover EDK
5	Cover EDKT	6	Taconite seal ETC
7	Double lip seal EDH	8	V ring seal EDV
9	Felt seal EFS	10	Locating ring FRM

12 Plummer block housings SES for bearings with cylindrical bore, overview of combinations



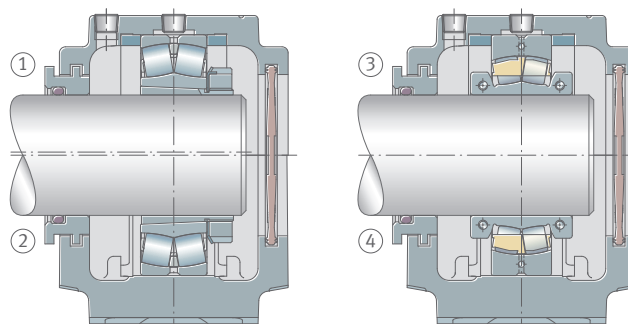
001ADEA0

1	Locating bearing	2	Non-locating bearing
3	Labyrinth seal ETS	4	Cover EDK
5	Cover EDKT	6	Taconite seal ETC
7	Double lip seal EDH	8	V ring seal EDV
9	Felt seal EFS	10	Locating ring FRM
11	Spacer sleeve, not included in the scope of delivery		

1.4.2 Mounting of split spherical roller bearings

In the case of plummer block housings SES, an unsplit spherical roller with a tapered bore and adapter sleeve can be replaced by a split spherical roller bearing.

13 Plummer block housings SES with split and unsplit spherical roller bearing



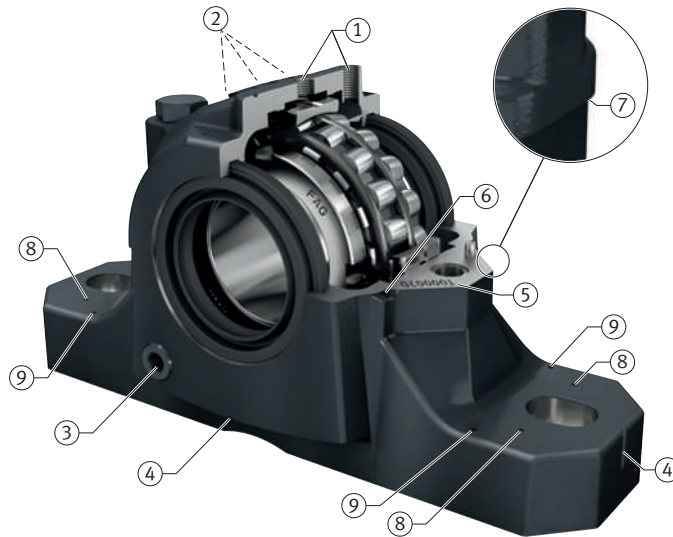
001ADED0

1	Locating bearing with unsplit bearing	2	Non-locating bearing with unsplit bearing
3	Locating bearing with split bearing	4	Non-locating bearing with split bearing

1.5 Advantages of the detailed design

The details in the housing design are systematically matched to practical application and make the SES plummer block housings particularly flexible and economical to use.

14 Advantages of the detailed design



00169828

1	Lubrication holes for central and lateral lubricant feed	2	Marked connection points for condition monitoring
3	Grease outlet hole	4	Indentations indicating the housing centre
5	Serial numbering of housing halves	6	Dismounting notches
7	Projection of upper housing section	8	Marked positions for additional fixing holes
9	Marked positions for pins		

1.5.1 Lubrication holes

2 lubrication holes M10×1 in the upper housing section enable central and lateral lubricant feed ▶12|14, (1). The central lubrication hole is connected to a long axial lubrication groove in the upper housing section and thus ensures supply of lubricant irrespective of bearing position to all bearing series that can be fitted. 1 button head lubrication nipple and 1 taper type lubrication nipple are included with the housing.

The lubrication holes also enable the connection of automatic lubricators ▶23|5.4.

1.5.2 Marked connection points for condition monitoring

Cast-in pilot holes in the upper housing section indicate suitable connection points for condition monitoring ▶12| 14, (2). Schaeffler recommends the following online measuring systems for monitoring the condition of machines:

- Schaeffler OPTIME: wireless, cost-effective, easy to use
- Schaeffler SmartCheck: modular construction, ideal for widely fluctuating operating conditions such as speed or load
- other sensors for vibration monitoring

The online measuring systems must be ordered separately.

15 Examples of condition monitoring and lubricant supply systems



Further information

Service Info | What is OPTIME and how does it work? |

<https://www.schaeffler.de/std/1FF0>

TPI 214 | Schaeffler SmartCheck |

<https://www.schaeffler.de/std/1B6C>

1.5.3 Grease outlet hole

A grease outlet hole in the lower housing section allows the escape of used and superfluous grease during relubrication ▶12| 14, (3).

1.5.4 Indentations indicating the housing centre

Indentations on the end faces and lateral faces of the lower housing section indicate the housing centre. The indication allows rapid alignment and reduces mounting time.

1.5.5 Serial numbering of housing halves

The upper housing section and lower housing section are matched to each other and must not be transposed with other housing halves. Serial numbers marked on the housing cap and housing base ensure that the upper and lower housing sections are correctly matched during assembly. Furthermore, the serial number ensures that the product can be clearly identified and is beneficial for traceability and documentation.

1.5.6 Dismounting notches

Recessed dismounting notches on the interface of the housing halves make it easier to remove the upper housing section.

1.5.7 Projection of upper housing section

The projection of the upper housing section serves the following purposes:

- prevents the collection of fluids and contaminants at the interface of the two housing halves
- prevents contaminants from penetrating the interior of the housing
- reduces the risk of corrosion

1.5.8 Marked positions for additional fixing holes

4 additional fixing holes allow the housing to be mounted on T-beams. Cast-in pilot holes in the lower housing section indicate the positions for the additional fixing holes ▶12 | 14, (8).

1.5.9 Marked positions for pins

The use of pins to fix the housing is also available as an option. The optimum positions for the holes for the pins are marked on the lower housing section ▶12 | 14, (9) ▶32 | 9.3.

1.5.10 Improved material

An improved material increases the rigidity of the housing. As a result, the robust housing is even more suitable for aggressive environmental conditions.

2 Suitable bearings

Bearing type and sizes

The split plummer block housings are suitable for fitting with spherical roller bearings, barrel roller bearings and self-aligning ball bearings with a tapered or cylindrical bore as well as deep groove ball bearings. The range of shaft diameters is 20 mm to 160 mm and $3/4$ inch to $5 1/2$ inch.

■ 1 Suitable bearings for split plummer block housings SES

Bearing type	Housing	
	from	to
Spherical roller bearings with tapered bore and adapter sleeve	21306..-K	21322..-K
	22205..-K	22232..-K
	22308..-K	22332..-K
	23218..-K	23232..-K
Spherical roller bearings with cylindrical bore	21304	21322
	22205	22232
	22308	22332
	23218	23232
Sealed spherical roller bearings with cylindrical bore	WS22205-E1-2RSR	WS22226-E1-2RSR
	WS22308-E1-2RSR	WS22311-E1-2RSR
Split spherical roller bearings with cylindrical bore	222SM55-TVPA	222SM140-TVPA
	222S.203	222S.508
Self-aligning ball bearings with tapered bore and adapter sleeve	1205-K	1222-K
	1305-K	1322-K
	2205-K	2222-K
	2305-K	2322-K
Self-aligning ball bearings with cylindrical bore	1205	1226
	1304	1322
	2205	2222
	2304	2322
Barrel roller bearings with tapered bore and adapter sleeve	20205-K	20232-K
	20305-K	20324-K
Barrel roller bearings with cylindrical bore	20205	20232
	20304	20330
Deep groove ball bearings with cylindrical bore	6205	6232
	6304	6324

Split spherical roller bearings

In bearing replacement, unsplit spherical roller bearings with an adapter sleeve can be replaced by split spherical roller bearings. In many cases, the use of split spherical roller bearings significantly reduces the work associated with bearing replacement.

In order to ensure selection of the correct combination of housing and bearing, please contact us.

Further information

TPI 250 | Split spherical roller bearings |
<https://www.schaeffler.de/std/1F81>

3 Materials, corrosion protection

The standard material for the housing bodies is flake graphite cast iron EN-GJL-300 in accordance with DIN EN 1561, suffix L. By agreement, housing bodies made from spheroidal graphite cast iron EN-GJS-400-15 in accordance with DIN EN 1563 and with the suffix D are also available.

All outer surfaces not machined by chip-forming methods have a universal paint coating: colour RAL 7016, anthracite grey. Inner surfaces not machined by chip-forming methods can be provided with a universal paint coating for production reasons.

The following finishes can be applied to the universal coating:

- synthetic resin
- polyurethane
- acrylic
- epoxy resin
- chlorinated rubber
- nitrocellulose
- acid-hardening hammer tone

Schaeffler applies corrosion inhibitor to the machined inner and outer surfaces of each housing. If desired, this protective coating can be easily removed. Schaeffler recommends using only volatile solvents and lint-free cloths.

4 Load carrying capacity

Guide values are given for the rupture load of plummer block housings and the maximum load carrying capacity of connecting screws for the upper and lower housing sections. The guide values are valid for purely static loading.

The guide values are only valid if the flatness of the mounting surface in accordance with DIN EN ISO 1101 corresponds to the tolerance grade IT7 in accordance with DIN EN ISO 286-1 (measured across the diagonal). A precondition for supporting loads is that the housing base surface is completely and rigidly supported.

The guide values for housing rupture load are valid for the standard housing material flake graphite cast iron, suffix L. For spheroidal graphite cast iron, suffix D, a factor of 1,6 should be applied.

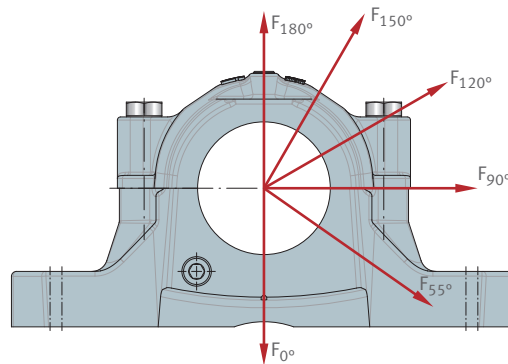
When determining the permissible static load, safety factors must be applied:

- safety factor of 6 relative to the guide values: housing rupture load for flake graphite cast iron, spheroidal graphite cast iron
- safety factor of 3 relative to the maximum load carrying capacity of the connecting screws and foot screws

Additional factors influencing load carrying capacity:

- If the housing is subjected to axial load, the permissible axial load of the bearing fitted must be taken into consideration.
- If an adapter sleeve is used to locate the bearing on the shaft, the axial retaining force of the bearing and adapter sleeve must also be taken into consideration.

16 Load directions F



001ADEE0

2 Guide values for housing rupture load and maximum load carrying capacity of the connecting screws, tightening torques

Housing		Housing rupture load ¹⁾ in load direction F Flake graphite cast iron housings							Connecting screws				
									In acc. with DIN EN ISO 4014	Tightening torque ²⁾	Max. load carrying ca- pacity of 2 screws in load direction F ³⁾		
		0° kN	55° kN	90° kN	120° kN	150° kN	180° kN	axial kN	Ma- terial 8.8	M _A Nm	120° kN	150° kN	180° kN
SES505	SES205	100	155	95	70	60	80	52	M10	51	60	35	30
SES506-605	SES206-305	130	170	100	80	65	85	55	M10	51	60	35	30
SES507-606	SES207	140	190	115	85	80	95	60	M10	51	60	35	30
SES508-607	SES208-307	150	215	130	95	85	110	70	M10	51	60	35	30
SES509	SES209	160	230	140	100	90	115	75	M10	51	60	35	30
SES510-608	SES210	170	265	155	120	110	130	85	M10	51	60	35	30
SES511-609	SES211	270	290	215	160	130	140	90	M12	87	80	45	40
SES512-610	SES212	210	300	180	130	120	150	100	M12	87	80	45	40
SES513-611	SES213	270	340	205	150	130	170	110	M12	87	80	45	40
-	SES214	270	340	205	150	130	170	110	M12	87	80	45	40
SES515-612	SES215	290	410	250	185	160	205	135	M12	87	80	45	40
SES516-613	SES216	350	430	260	190	175	215	140	M12	87	80	45	40
SES517	SES217	500	525	420	250	205	240	190	M12	87	80	45	40
SES518-615	SES218	430	550	340	250	215	275	180	M16	215	180	100	90
SES519-616	-	870	670	450	270	230	290	220	M16	215	180	100	90
SES520-617	-	500	740	660	325	270	310	310	M20	430	260	150	130
SES618-318	-	550	630	375	280	250	300	200	M20	430	260	150	130
SES522-619	-	600	680	410	310	275	340	220	M20	430	260	150	130
SES524-620	-	800	790	470	350	320	400	260	M20	430	260	150	130
SES526	-	900	900	540	410	360	450	295	M24	740	360	210	180
SES622-322	-	950	1000	600	450	400	500	320	M24	740	360	210	180
SES528	-	1165	1160	895	530	435	530	530	M24	740	360	210	180
SES624-324	-	1050	1180	710	530	475	600	360	M24	740	360	210	180
SES530	-	1100	1200	730	540	480	600	390	M24	740	360	210	180
SES532	-	1300	1450	860	640	570	720	470	M24	740	360	210	180

1) For housings made from flake graphite cast iron. Housings made from spheroidal graphite cast iron have a housing rupture load that is 1,6 times higher than that of housings made from flake graphite cast iron.

2) The tightening torques are maximum values when utilising 90 % of the yield stress of the screw material and with a friction factor of 0,14. Schaeffler recommends that the screws should be tightened to 70 % of these values.

3) Maximum load carrying capacity in load direction F for maintaining contact at the parting surface between the upper and lower housing sections

5 Lubrication

Split plummer block housings SES are principally intended for grease lubrication.

5.1 Greases

In order to achieve a long operating life and high operational security of the bearing arrangement, Schaeffler recommends the use of Arcanol rolling bearing greases. These rolling bearing greases have been designed and tested for bearing arrangement engineering.

Further information

TPI 168 | Arcanol Rolling Bearing Greases |
<https://www.schaeffler.de/std/1F66>


TPI 176 | Lubrication of Rolling Bearings |
<https://www.schaeffler.de/std/1F83>

5.2 Grease quantities for initial greasing

For initial greasing, the basic rule is that the bearing should be filled with grease to 100 % and the free volume of the housing to 60 %. The free volume is the space that remains in the housing once the bearing, adapter sleeve, shaft and seals have been fitted.

The recommended grease quantities specified in the following table take account of the following criteria:

- filling of the free volume to 60 %
- grease with a density of 0,9 g/cm³

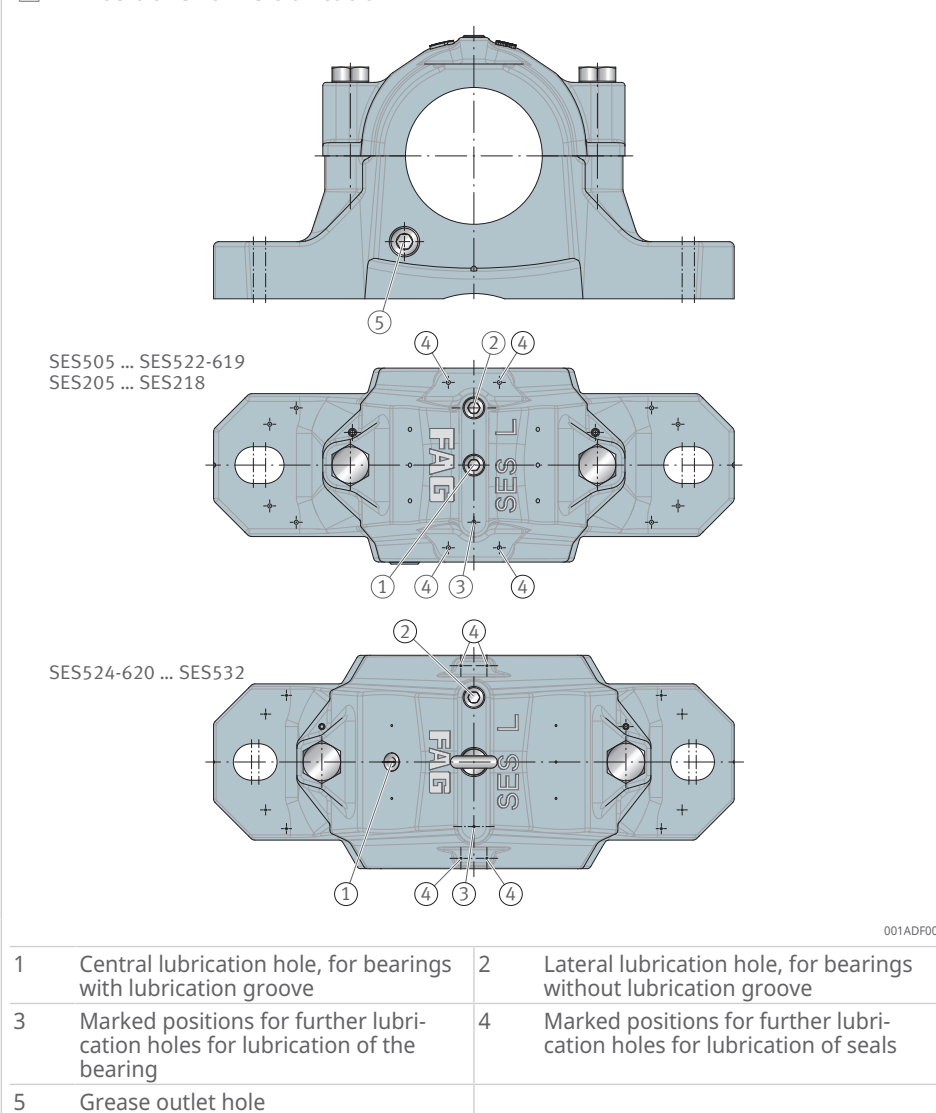
 3 Recommended grease quantity for initial greasing

Housing		Recommended grease quantity		
Designation		Free volume	Volume	Mass
		cm ³	≈ cm ³	≈ g
SES505	SES205	72	43	39
SES506-605	SES206-305	118	71	64
SES507-606	SES207	145	87	78
SES508-607	SES208-307	164	98	89
SES509	SES209	184	110	99
SES510-608	SES210	211	127	114
SES511-609	SES211	263	158	142
SES512-610	SES212	388	233	210
SES513-611	SES213	474	284	256
-	SES214	537	322	290
SES515-612	SES215	605	363	327
SES516-613	SES216	816	490	441
SES517	SES217	961	577	519
SES518-615	SES218	1250	750	675
SES519-616	-	1421	853	767
SES520-617	-	1855	1113	1002
SES618-318	-	1759	1055	950
SES522-619	-	2513	1508	1357
SES524-620	-	2974	1784	1606
SES526	-	3289	1973	1776
SES622-322	-	3148	1889	1700
SES528	-	4211	2527	2274
SES624-324	-	3704	2222	2000
SES530	-	5132	3079	2771
SES532	-	6053	3632	3268

5.3 Relubrication

5.3.1 Lubrication holes

☐17 Positions for relubrication



Where relubrication is carried out on bearings with a circumferential lubrication groove, the grease is introduced into the housing via the **central lubrication hole** ▶21 | ☐17, (1). In this type of relubrication, the grease acts directly on the bearing raceway.

Where relubrication is carried out on bearings without a lubrication groove, the grease must be introduced into the housing via the **lateral lubrication hole** ▶21 | ☐17, (2). In this case, the housing cavities on the side with the lubrication nipple must be filled completely with grease so that the relubrication grease can act immediately on the bearing.

As an alternative to the lubrication holes already present, lubrication holes may be introduced at other positions as indicated by the cast-in pilot holes ▶21 | ☐17, (3).

Lubrication holes may be provided at further marked points for relubrication of labyrinth seals ▶21 | ☐17, (4).

Each lubrication hole is sealed with 1 screw plug, which must be removed and permanently replaced with one of the supplied lubrication nipples.

Lubrication nipples with dust cap are supplied as follows:

- 1 button head lubrication nipple to DIN 3404-A M10×1 St
- 1 taper type lubrication nipple to DIN 71412-A M10×1

5.3.2 Grease outlet hole

The grease outlet hole is sealed with 1 screw plug to DIN 906.

In order to prevent overgreasing, the screw plug in the grease outlet hole in the lower housing section must be removed while relubrication is being carried out ▶21 | ☞17, (5). This allows superfluous grease to escape. When using double lip seals EDH in particular, the superfluous grease must be able to escape. Otherwise, there is a risk that the double lip seal will be pressed out of the housing.

The grease outlet hole must then be closed off again using the screw plug.

If unfavourable environmental conditions are present, there is a risk of contaminants penetrating the interior of the housing when the grease outlet holes are opened.

5.3.3 Dimensions

☞4 Dimensions of the grease outlet hole and lubrication holes

Housing		Thread for	
		Grease outlet hole	Lubrication hole
SES505	SES205	M10×1	M10×1
SES506-605	SES206-305		
SES507-606	SES207		
SES508-607	SES208-307		
SES509	SES209		
SES510-608	SES210		
SES511-609	SES211	M14×1,5	M10×1
SES512-610	SES212		
SES513-611	SES213		
-	SES214		
SES515-612	SES215	M20×1,5	M10×1
SES516-613	SES216		
SES517	SES217		
SES518-615	SES218		
SES519-616	-		
SES520-617	-		
SES618-318	-		
SES522-619	-		
SES524-620	-		
SES526	-		
SES622-322	-		
SES528	-		
SES624-324	-		
SES530	-		
SES532	-		

5.4 Automatic lubricators

The housings can be connected directly to automatic lubricators, such as the OPTIME C1 or CONCEPT lubricators from Schaeffler.

18 Plummer block housing SES with automatic lubricator CONCEPT1



001935AE

Further information

TPI 252 | Lubricators |
<https://www.schaeffler.de/std/1D4E>

6 Seals and covers

Seals

For the sealing of the bearing housings, the standard seals available are the double lip seal, the felt seal, the labyrinth seal, the V ring seal and the Taconite seal. These seals are matched to the rectangular section annular slots on both sides of the housings and are principally suitable for grease lubrication.

The seals must be ordered separately. They are supplied separately. If a continuous shaft is present, 2 seals must be ordered.

Special seals, such as split labyrinth seals, are also available from Schaeffler by agreement.

Covers

Covers are used with housings closed on one side. The covers fit in the rectangular section annular slots in the housings. The covers must be ordered separately.

6.1 Double lip seals EDH

The seal lips of the double lip seal EDH slide on the rotating shaft. The outer seal lip prevents ingress of contamination into the bearing. This effect is supported by the grease inserted between the seal lips on assembly. The inner lip prevents lubricant from escaping from the housing.

The seal is made from acrylonitrile butadiene rubber NBR and is suitable for temperatures from -40 °C up to $+100\text{ °C}$.

The seal is suitable for circumferential velocities of up to 13 m/s. For continuous operation, Schaeffler recommends a maximum circumferential velocity of 6 m/s.

The permissible shaft misalignment is $0,5^\circ$ in both directions.

The double lip seal is a split seal. The seal halves are easily inserted in the annular slots of the housing parts.

6.2 Felt seals EFS

Felt seals EFS are particularly suitable for grease lubrication. The felt seals comprise 1 split adapter with inserted, oil-impregnated felt strip. The adapter is secured against rotation by 1 O-ring made from FKM in the annular slot of the housing.

Felt seals can be used at temperatures up to $+100\text{ °C}$. By agreement, aramide packing is available for higher temperatures.

The seal is suitable for circumferential velocities of up to 5 m/s and, after running in, up to 15 m/s.

The permissible shaft misalignment is $0,5^\circ$ in both directions.

The felt seal is a split seal. The seal halves are easily inserted in the annular slots of the housing parts.

6.3 Labyrinth seals ETS

Unsplit labyrinth seals ETS allow non-contact sealing, which makes them suitable for high circumferential velocities. The O-ring made from fluoro rubber FKM, which is pressed between the labyrinth ring and shaft, is suitable for temperatures of up to +200 °C.

The permissible shaft misalignment is 0,5° in both directions.

If necessary, the labyrinth can be relubricated. For relubrication, 1 lubrication hole must be made in the upper housing section for each labyrinth seal. Cast-in pilot holes in the housing indicate the optimum positions for the lubrication holes ▶21 | 17, (4).

Split labyrinth seals are available by agreement.

6.4 V ring seals EDV

In the case of V ring seals EDV, the seal lip is in axial contact with the sliding surface which is located in the rectangular section annular slot of the housing. The V ring is made from NBR and is suitable for temperatures of up to +100 °C.

The seal is suitable, when using grease lubrication, for circumferential velocities of up to 12 m/s. If circumferential velocities of more than 8 m/s are present, axial location is necessary.

The permissible shaft misalignment is 0,5° in both directions.

6.5 Taconite seals ETC

Taconite seals ETC are combined seals comprising a labyrinth seal and a V ring. Taconite seals are suitable for extreme operating conditions in relation to contamination and dust. The V ring is made from NBR and is suitable for temperatures of up to +100 °C.

The seal is suitable, when using grease lubrication, for circumferential velocities of up to 12 m/s. If circumferential velocities of more than 8 m/s are present, axial location is necessary.

The permissible shaft misalignment is 0,5° in both directions.

6.6 Covers EDK

Covers EDK are made from plastic and are suitable for long term temperatures of up to +120 °C.

6.7 Covers EDKT

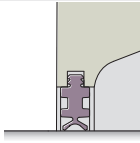
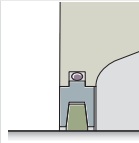
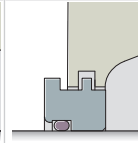
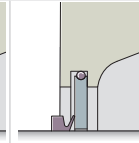
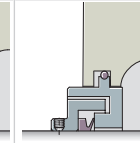
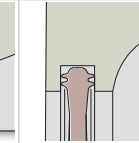
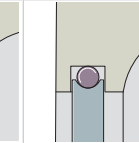
Covers EDKT are made from steel and FKM and are suitable for temperatures of up to +200 °C. These covers should always be used in overhead and side mounting arrangements, regardless of the temperature.

Covers are available by agreement.

6.8 Overview of characteristics and operating ranges

The overview shows the characteristics of the seals and covers, their suitability and the demands on the shaft.

 5 Standard seals and covers for plummer block housings SES

Design features and suitability	Seals					Covers		
	Double lip seal	Felt seal	Labyrinth seal	V ring seal	Taconite seal	Made from plastic	Made from steel	
								
Designation	EDH	EFS	ETS	EDV	ETC	EDK	EDKT	
Material	NBR	Steel, felt, FKM	Steel, FKM	Steel, NBR	Steel, NBR	Plastic	Steel, FKM	
Split seal	Yes	Yes	No	No	No	Not applicable	Not applicable	
Pieces per pack ¹⁾	2	2	1	2	1	1	1	
Suitability for sealing against								
Dust	++	+	+	+	++	+	++	
Fine solid particles	++	-	+	+	++	+	++	
Coarse solid particles	+	o	+	-	++	++	++	
Slivers	+	++	++	-	++	++	++	
Spray liquids	+	-	-	+	++	+	++	
Operating limits								
Long term temperature	°C	-30 ... +100	-30 ... +100	-20 ... +200	-30 ... +100	-30 ... +100	-40 ... +120	-20 ... +200
	°F	-22 ... +210	-22 ... +210	-4 ... +390	-22 ... +210	-22 ... +210	-40 ... +250	-4 ... +390
		Restricted due to NBR		Restricted due to FKM	Restricted due to NBR	Restricted due to NBR		Restricted due to FKM
Circumferential velocity	m/s	≤ 13 Permanently ≤ 6	≤ 5 After running-in ≤ 15	No restriction	≤ 12	≤ 12	Not applicable	Not applicable
Misalignment	°	≤ 0,5	≤ 0,5	≤ 0,5	≤ 0,5	≤ 0,5	Not applicable	Not applicable
Low friction		+	+ After running-in	++	+	+	Not applicable	Not applicable
Axial shaft displacement (suitability as non-locating bearing)		++	++	+	o	+	Not applicable	Not applicable
Vertical arrangement		+	-	-	o	o	-	+
Grease retention during re-lubrication		++ ²⁾	o	o	o	+	+	++
Oil lubrication		o	-	-	-	-	o	++
Direct sunlight		+	++	++	-	++	o	++
Shaft requirements								
Tolerance class ³⁾		h8 (h9)	h8 (h9)	h8 (h9)	h8 (h9)	h8 (h9)	Not applicable	Not applicable
Max. roughness	µm	Ra 3,2	Ra 3,2	Ra 3,2	Ra 3,2	Ra 3,2	Not applicable	Not applicable

- ++ highly suitable
- + suitable
- o suitable with restrictions
- not suitable

- 1) Only multiples of 2 possible as an order quantity, as 2 pieces per pack
- 2) Precondition: the grease outlet hole is open during relubrication.
- 3) The envelope condition © applies here.

7 Dimensions, tolerances

7.1 Dimensions

The dimensions of housings SES correspond to ISO 113 and DIN 736 to DIN 739. Housings SES are interchangeable with housings SN, SNE and SNV.

7.2 Tolerances for the bearing seat

The bearing seat in the housings is machined to the tolerance class G7 in accordance with DIN EN ISO 286-1. The tolerance indicated is valid in the delivered condition, i.e. before the screws connecting the upper and lower sections are loosened.

By agreement, the housings can also be supplied with bearing seats to other tolerance classes.

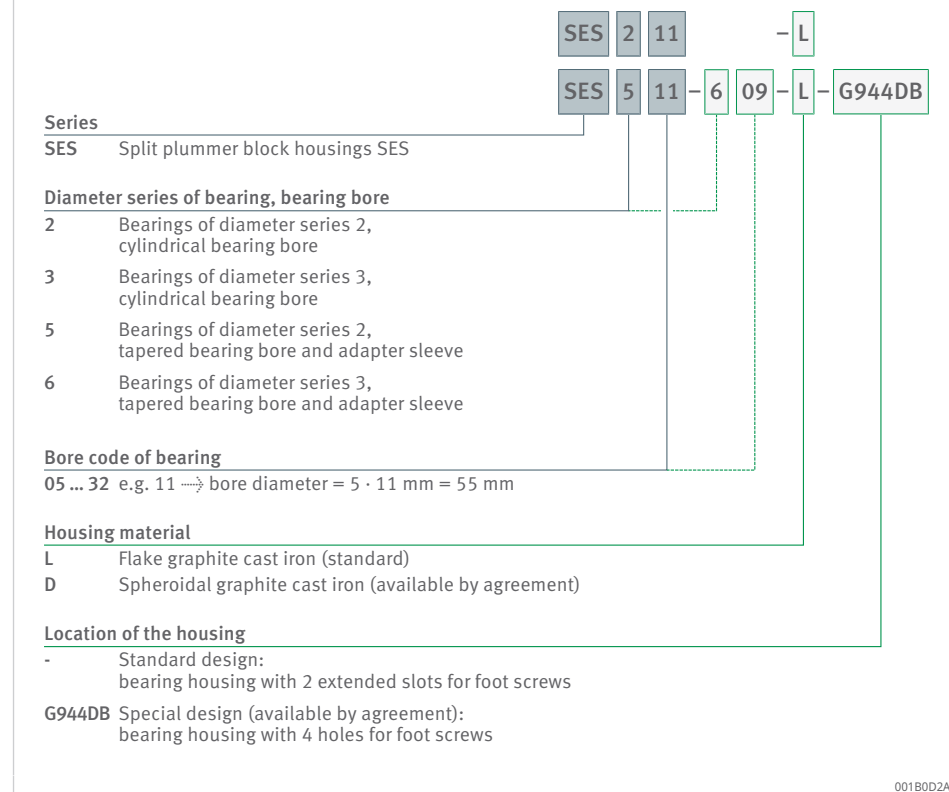
8 Structure of the ordering designation

The designations of the housings and associated seals, covers and locating rings are composed in accordance with a set model. An explanation of the codes used in the designations is provided below, with full designations also provided in the examples.

Bearing housings

The designation structure of split plummer block housings SES is based on DIN 736 to DIN 739. Due to the modular concept, the same bearings can be installed in a single SES housing as in several of the SN housings that are also referred to in these standards.

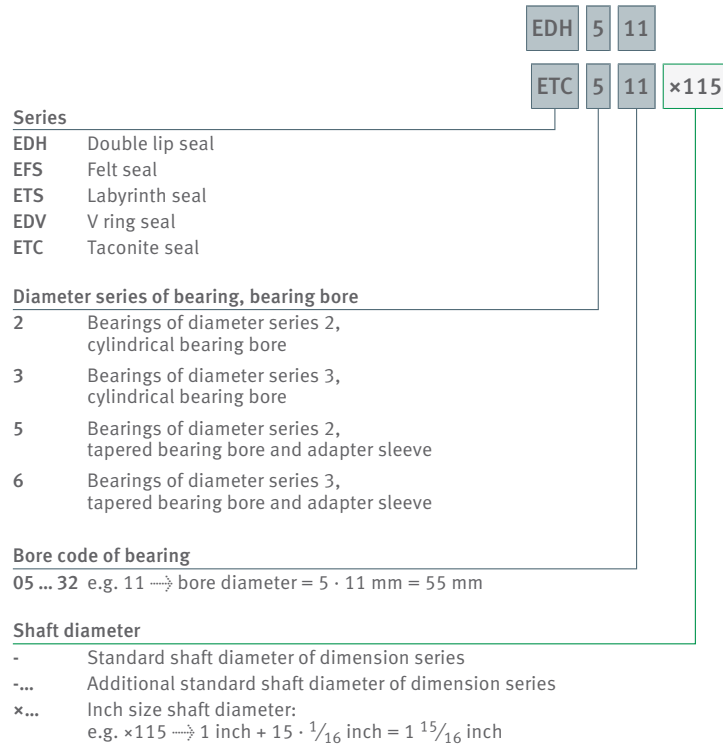
19 Designation structure of plummer block housings SES, examples



001B0D2A

Seals

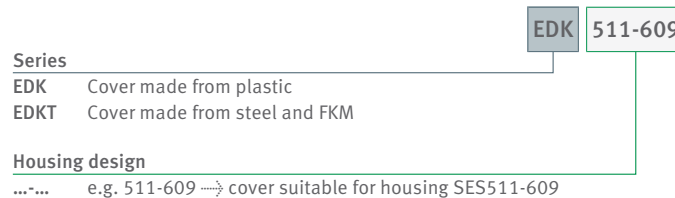
20 Designation structure of standard seals, examples



001B0D3A

Covers

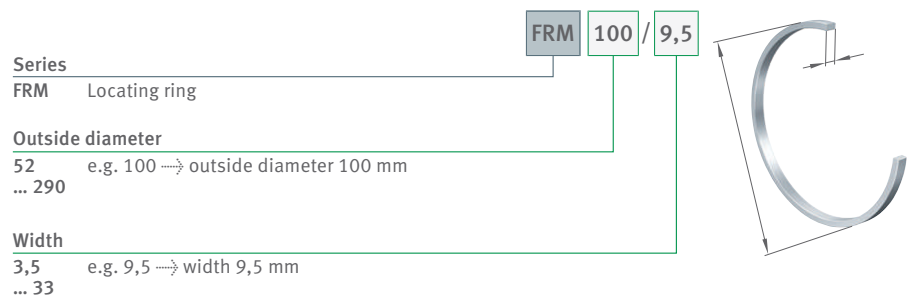
21 Designation structure of covers, examples



001B0D47

Locating rings

22 Designation structure of locating rings, example



001B0D55

8.1 Ordering examples

When a split plummer block housing SES is ordered, the housing designation only describes the housing body. The other components such as seals, covers or locating rings must be ordered separately in the specific design required. The rolling bearing and, if necessary, the adapter sleeve must also be ordered separately.

Housings with a bearing fitted give non-locating bearing arrangements. Locating bearing arrangements can be achieved by the insertion of 1 locating ring FRM on each side of the bearing outer ring.

The ordering examples show the construction of an order for selected housing configurations and the appropriate bearings. For the allocation of housings, bearings and accessories for all housing sizes, see the product tables.

8.1.1 Example 1

Example of a housing configuration, characteristics:

- housing of standard series made from flake graphite cast iron, closed on one side
- shaft with 50 mm diameter, location by means of adapter sleeve
- spherical roller bearing 22211-E1-XL-K as locating bearing
- double lip seal

6 Order

Quantity	Description	Ordering designation, short designation
1	Plummer block housing	SES511-609-L
1	Spherical roller bearing	22211-E1-XL-K
1	Adapter sleeve	H311
2	Locating ring	FRM100/9,5
1	Cover	EDK511-609
2 ¹⁾	Double lip seal (2 pieces per pack)	EDH511

¹⁾ Only multiples of 2 possible as an order quantity, as 2 pieces per pack

8.1.2 Example 2

Example of a housing configuration, characteristics:

- housing of standard series made from flake graphite cast iron, open on both sides
- continuous shaft, diameter 70 mm
- split spherical roller bearing 222SM70-TVPA as locating bearing
- felt seals

7 Order

Quantity	Description	Ordering designation, short designation
1	Plummer block housing	SES516-613-L
1	Split spherical roller bearing	222SM70-TVPA
2	Locating ring	FRM140/12,5
2	Felt seal (2 pieces per pack)	EFS516

8.1.3 Example 3

Example of a housing configuration, characteristics:

- housing made from spheroidal graphite cast iron, closed on one side, 4 holes for foot screws
- stepped shaft, diameter 90 mm and 100 mm
- spherical roller bearing 23218-E1-XL-TVPB as non-locating bearing
- Taconite seals

8 Order

Quantity	Description	Ordering designation, short designation
1	Plummer block housing	SES218-D-G944DB
1	Spherical roller bearing	23218-E1-XL-TVPB
1	Shaft nut	KM18
1	Tab washer	MB18
1	Cover	EDK218
1	Taconite seal	ETC218

9 Design of the adjacent construction

9.1 Surface quality of the mounting surface

The requirements for the surface on which the housing is to be mounted are as follows:

- sufficiently robust to withstand the static and dynamic loads occurring in operation over the long term
- surface roughness $R_a \leq 12,5$
- flatness tolerance to IT7, measured across the diagonal
- free from colour

Compliance with these requirements is the basis for the operational security of the housing and a long operating life of the bearing fitted.

9.2 Horizontal fixing of the housing

In addition to the foot screws, horizontal fixing of the housing is necessary if one of the following conditions is fulfilled:

- load angle between 55° and 120° $\triangleright 17 | \text{G}16$
- axial loading of the bearing position

Horizontal fixing of the housing can be carried out by means of stops in the load direction or by means of pins.

9.3 Additional holes for foot screws and pins

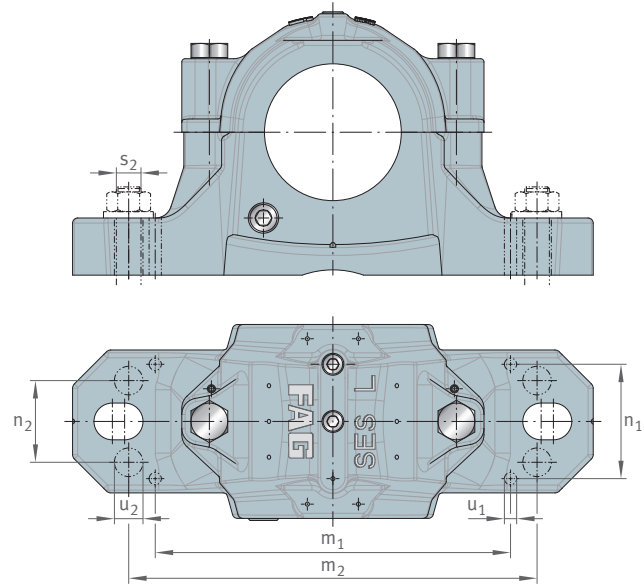
For many applications, it is sufficient to fix the housing to the adjacent construction with 2 foot screws. The housing base in the standard design has 2 extended slots, to enable good alignment during assembly.

For location on T profiles, 4 foot screws are required. Cast-in markings indicate the locations at which 4 additional holes can be produced for fixing purposes.

Housings with 4 holes for foot screws are available as a special design by agreement. These are indicated by the suffix G944DB in the ordering designation.

Further markings indicate the locations at which holes can be produced for pins to secure the position.

23 Additional holes for foot screws and pins



001ADF49

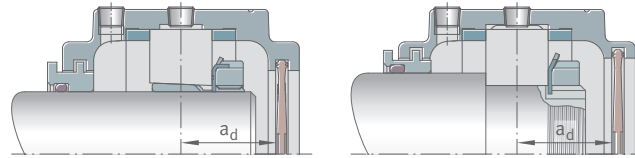
9 Dimensions of additional holes for foot screws and pins

Housing		Pins			Foot screws			
		m ₁	n ₁	u ₁	m ₂	n ₂	u ₂	s ₂
		mm	mm	mm	mm	mm	mm	
SES505	SES205	100	34	4	114	25	9	M8
SES506-605	SES206-305	119	39	4	130	29	9	M8
SES507-606	SES207	124	40	4	138	29	9	M8
SES508-607	SES208-307	137	43	4	160	34	11	M10
SES509	SES209	138	45	4	160	34	11	M10
SES510-608	SES210	140	46	6	160	34	11	M10
SES511-609	SES211	174	56	6	200	40	14	M12
SES512-610	SES212	174	56	6	200	40	14	M12
SES513-611	SES213	194	61	6	220	48	14	M12
-	SES214	190	52	4	220	48	14	M12
SES515-612	SES215	194	60	8	220	48	14	M12
SES516-613	SES216	218	67	8	252	52	18	M16
SES517	SES217	220	75	8	252	52	18	M16
SES518-615	SES218	250	80	8	280	58	18	M16
SES519-616	-	250	82	8	280	58	18	M16
SES520-617	-	270	90	8	300	66	18	M16
SES618-318	-	276	84	8	300	66	18	M16
SES522-619	-	296	92	8	320	74	18	M16
SES524-620	-	300	91	8	330	74	18	M16
SES526	-	328	97	10	370	80	22	M20
SES622-322	-	338	96	10	370	80	22	M20
SES528	-	360	128	12	400	92	26	M24
SES624-324	-	378	120	12	430	100	26	M24
SES530	-	374	116	12	430	100	26	M24
SES532	-	394	120	12	450	100	26	M24

9.4 Permissible shaft end designs

In the case of a housing closed on one side, the length of the shaft in the housing must be restricted such that no contact occurs between the shaft and the cover. In this case, the displacement facility of the bearing in a non-locating bearing arrangement must be taken into account. The basis for determining the permissible length of the shaft is the distance between the centre of the bearing seat and the cover ▶ 34 | ☉24 ▶ 34 | ☒10.

☉24 Determining the permissible length of the shaft



001ADF39

a_d Spacing between centre of bearing seat and cover

☒10 Spacing between centre of bearing seat and cover

Housing		Spacing a_d mm
SES505	SES205	26
SES506-605	SES206-305	31
SES507-606	SES207	33
SES508-607	SES208-307	34,5
SES509	SES209	33,5
SES510-608	SES210	36
SES511-609	SES211	38,5
SES512-610	SES212	43,5
SES513-611	SES213	46
-	SES214	42,25
SES515-612	SES215	48,5
SES516-613	SES216	51
SES517	SES217	53,5
SES518-615	SES218	61
SES519-616	-	62,5
SES520-617	-	70
SES618-318	-	67,25
SES522-619	-	77,5
SES524-620	-	81,5
SES526	-	84
SES622-322	-	80,25
SES528	-	91,5
SES624-324	-	82,75
SES530	-	99
SES532	-	106,5

9.5 Shaft design

Requirements governing the design of the shaft can be found in the publication for the bearing used, e.g. the respective bearing chapter in the main catalogue:

HR 1 | Rolling Bearings |
<https://www.schaeffler.de/std/1D3D>

The minimum requirements for the shaft must be observed for the running surfaces of the seals ▶ 26 | 5.

10 Fitting and dismantling

Correct mounting has a decisive influence on the achievable bearing life. Careful attention must therefore be paid to the following guidelines.

The Schaeffler Mounting Handbook MH 1 gives comprehensive information about the correct storage, mounting, dismounting and maintenance of rotary rolling bearings. The Mounting Handbook also provides information which should be observed by the designer, in relation to the mounting, dismounting and maintenance of bearings, in the original design of the bearing position.

Further information

MH 1 | Mounting Handbook |
<https://www.schaeffler.de/std/1B68>

HR 1 | Rolling Bearings |
<https://www.schaeffler.de/std/1D3D>

MON 92 | Split plummer block housings |
<https://www.schaeffler.de/std/1FD9>

10.1 Location of bearings with a tapered bore on the shaft

Bearings with a tapered bore are located on the shaft in plummer block housings by means of adapter sleeves. During mounting, the adapter sleeve is slid onto the shaft first and the bearing is then slid onto the taper of the adapter sleeve, as a result of which the radial internal clearance of the bearing is reduced. At the same time, a radial preload occurs between the bearing inner ring, adapter sleeve and shaft, ensuring the rigid seating of the bearing on the shaft.

Schaeffler hydraulic nuts facilitate the pressing-on operation. When pressing on the bearing, the rigid seating of the bearing must be checked using one of the following measurements:

- measurement of the reduction in radial internal clearance
- measurement of the axial drive-up distance of the inner ring on the tapered bearing seat

The reduction in the radial clearance can be determined in the case of spherical roller bearings, for example, by measurement using feeler gauges. The values for the reduction in radial internal clearance or the axial drive-up distance can be found in the Mounting Handbook MH 1 or in the bearing chapters of the main catalogue HR 1.

10.2 Location of bearings with a cylindrical bore on the shaft

Bearings with a cylindrical bore are mounted in plummer block housings SES on a stepped shaft. The bearing and then a spacer sleeve are slid onto the shaft. The outside diameter of the spacer sleeve must correspond to the larger diameter of the stepped shaft. The seal is slid onto the spacer sleeve. In the case of a housing closed on one side, a spacer sleeve is not used.

Spacer sleeves are not included in the scope of delivery of the housings.

10.3 Eye bolts

In the case of housing size SES524-620 and larger, each upper housing section has 1 eye bolt in accordance with DIN 580. This eye bolt is intended as a locating point for mounting and dismantling of the housing. The load carrying capacity of the eye bolt allows lifting of the housing including the bearing fitted in the housing.

The eye bolt must not be subjected to a load greater than the mass of the housing together with the bearing fitted in the housing.

10.4 Foot screws

Foot screws are used for screw mounting of the housings to the locating surface. Foot screws are not included in the scope of delivery of the housings.

The appropriate screw size for each housing is given in the product tables.

The following table contains tightening torques for metric coarse pitch threads in accordance with DIN 13, DIN 962 and DIN ISO 965-2 as well as head contact dimensions in accordance with DIN EN ISO 4014, DIN EN ISO 4017, DIN EN ISO 4032, DIN EN ISO 4762, DIN 6912, DIN 7984, DIN 7990 and DIN EN ISO 8673.

The maximum tightening torques are valid with 90 % utilisation of the yield stress of the screw material 8.8 and a friction factor of 0,14. Schaeffler recommends that foot screws should be tightened to approx. 70 % of the specified values.

11 Tightening torques for foot screws with metric thread

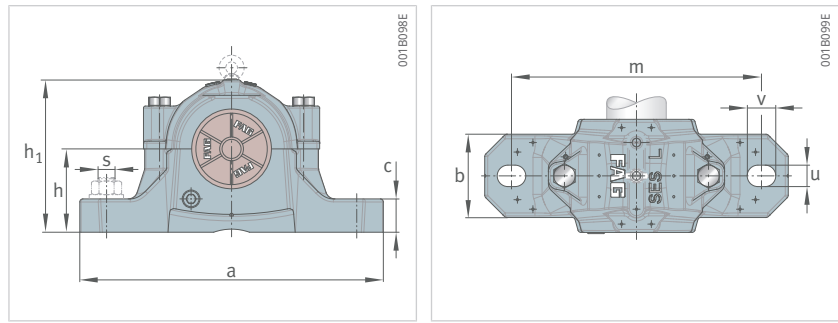
Housing		Nominal screw diameter	Tightening torque	
			max. Nm	recommended Nm
SES505	SES205	M12	93	65
SES506-605	SES206-305			
SES507-606	SES207			
SES508-607	SES208-307			
SES509	SES209			
SES510-608	SES210			
SES511-609	SES211	M16	230	160
SES512-610	SES212			
SES513-611	SES213			
-	SES214			
SES515-612	SES215			
SES516-613	SES216	M20	464	325
SES517	SES217			
SES518-615	SES218			
SES519-616	-			
SES520-617	-			
SES618-318	-	M24	798	550
SES522-619	-			
SES524-620	-			
SES526	-			
SES622-322	-			
SES528	-			
SES624-324	-	M30	1597	1100
SES530	-			
SES532	-			

11 Product tables

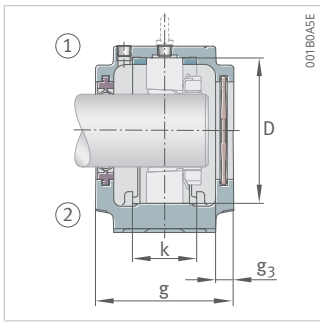
11.1 Explanations of the product tables

(1)	-	Locating bearing
(2)	-	Non-locating bearing
a	mm	Base length
b	mm	Base width
c	mm	Base height
d	mm	Shaft diameter
D	mm	Bearing outside diameter
d ₁	inch or mm	Shaft diameter
d ₂	mm	Shaft shoulder diameter
g	mm	Housing body width
g ₃	mm	Housing body wall thickness
g _L	mm	Total width, with 2 labyrinth seals
g _T	mm	Total width, with 2 Taconite seals
g _V	mm	Total width, with 2 V ring seals
h	mm	Distance to shaft axis
h ₁	mm	Overall height
k	mm	Bearing seat width
m	mm	Fixing hole spacing
m	kg	Mass
s	inch or mm	Screw size
u	mm	Slot width
v	mm	Slot length

11.2 Split plummer block housings SES, dimensions



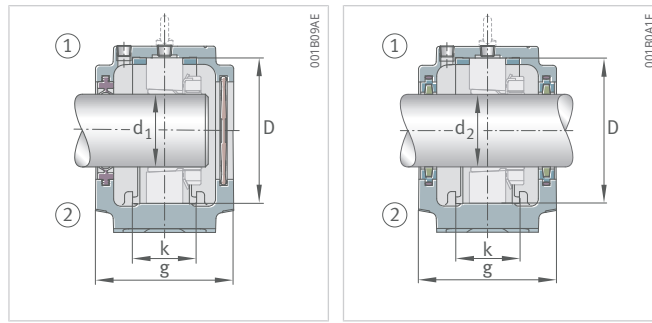
Housing	D	h	h ₁	g	b	c	a
	mm	mm	mm	mm	mm	mm	mm
SES205-L	52	40	74	67	46	19	165
SES505-L	52	40	74	67	46	19	165
SES206-305-L	62	50	89	77	52	22	185
SES506-605-L	62	50	89	77	52	22	185
SES207-L	72	50	93	82	52	22	185
SES507-606-L	72	50	93	82	52	22	185
SES208-307-L	80	60	108	85	60	25	205
SES508-607-L	80	60	108	85	60	25	205
SES209-L	85	60	109	85	60	25	205
SES509-L	85	60	109	85	60	25	205
SES210-L	90	60	113	90	60	25	205
SES510-608-L	90	60	113	90	60	25	205
SES211-L	100	70	128	95	70	28	255
SES511-609-L	100	70	128	95	70	28	255
SES212-L	110	70	134	105	70	30	255
SES512-610-L	110	70	134	105	70	30	255
SES213-L	120	80	150	110	80	30	275
SES513-611-L	120	80	150	110	80	30	275
SES214-L	125	80	158	105	80	30	275
SES215-L	130	80	156	115	80	30	280
SES515-612-L	130	80	156	115	80	30	280
SES216-L	140	95	177	120	90	32	315
SES516-613-L	140	95	177	120	90	32	315
SES217-L	150	95	183	125	90	32	320
SES517-L	150	95	183	125	90	32	320
SES218-L	160	100	194	140	100	35	345
SES518-615-L	160	100	194	140	100	35	345
SES519-616-L	170	112	212	145	100	35	345
SES520-617-L	180	112	218	160	110	40	380
SES618-318-L	190	112	229	155	110	40	380
SES522-619-L	200	125	242	175	120	45	410
SES524-620-L	215	140	271	185	120	45	410
SES526-L	230	150	290	190	130	50	445
SES622-322-L	240	150	298	185	130	50	450
SES528-L	250	150	302	205	150	50	500
SES624-324-L	260	160	321	190	160	60	530
SES530-L	270	160	323	220	160	60	530
SES532-L	290	170	344	235	160	60	550



m	v	u	s		k	g ₃	m
mm	mm	mm		inch	mm	mm	≈ kg
130	20	15	M12	0,5	25	10	1,6
130	20	15	M12	0,5	25	10	1,45
150	20	15	M12	0,5	32	10	2,4
150	20	15	M12	0,5	32	10	2,12
150	20	15	M12	0,5	34	11	2,1
150	20	15	M12	0,5	34	11	2,27
170	20	15	M12	0,5	39	11	3,53
170	20	15	M12	0,5	39	11	2,95
170	20	15	M12	0,5	30	12	3,63
170	20	15	M12	0,5	30	12	3,1
170	20	15	M12	0,5	41	12	3,81
170	20	15	M12	0,5	41	12	3,27
210	24	18	M16	0,625	44	12	4,18
210	24	18	M16	0,625	44	12	4,41
210	24	18	M16	0,625	48	12	4,82
210	24	18	M16	0,625	48	12	5,2
230	24	18	M16	0,625	51	13	6,2
230	24	18	M16	0,625	51	13	6,5
230	24	18	M16	0,625	39	15	6,3
230	24	18	M16	0,625	56	13	6,6
230	24	18	M16	0,625	56	13	7
260	28	22	M20	0,75	58	13	8,8
260	28	22	M20	0,75	58	13	9,3
260	28	22	M20	0,75	61	13	9,4
260	28	22	M20	0,75	61	13	9,8
290	28	22	M20	0,75	65	13	11,8
290	28	22	M20	0,75	65	13	12,9
290	28	22	M20	0,75	68	14	13,8
320	32	26	M24	0,875	70	14	17,1
320	32	26	M24	0,875	74	15	19,1
350	32	26	M24	0,875	80	14	22,8
350	32	26	M24	0,875	86	15	26,2
380	35	28	M24	1	90	15	33,1
390	35	28	M24	1	90	18	36,1
420	42	35	M30	1,25	98	15	40,3
450	42	35	M30	1,25	96	18	47,5
450	42	35	M30	1,25	106	15	48,5
470	42	35	M30	1,25	114	15	56,7

11.3 Split plummer block housings SES, accessories, bearings with tapered bore and adapter sleeve

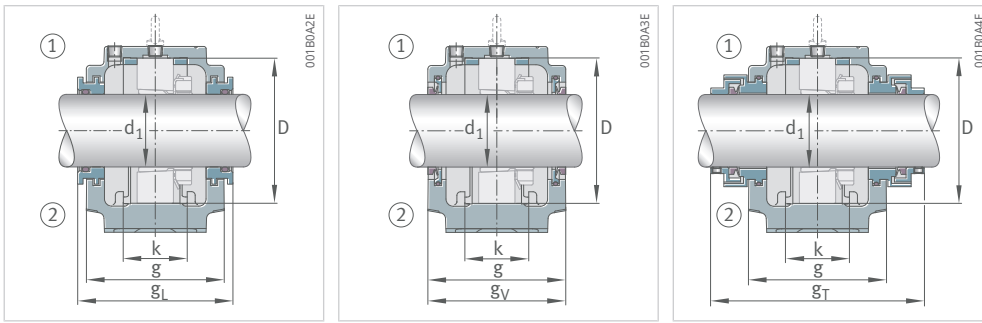
For metric or inch size shaft



Double lip seal EDH, cover

Felt seal EFS

Housing	d ₁		Bearing	Adapter sleeve	Locating ring	Cover
	mm	inch				
SES505-L	19,05	0,75	1205-K	H205×012	FRM52/5	EDK505
SES505-L	19,05	0,75	20205-K	H205×012	FRM52/5	EDK505
SES505-L	19,05	0,75	2205-K	H305×012	FRM52/3,5	EDK505
SES505-L	19,05	0,75	22205..-K	H305×012	FRM52/3,5	EDK505
SES506-605-L	19,05	0,75	1305-K	H305×012	FRM62/7,5	EDK506-605
SES506-605-L	19,05	0,75	20305..-K	H305×012	FRM62/7,5	EDK506-605
SES506-605-L	19,05	0,75	2305-K	H2305×012	FRM62/4	EDK506-605
SES505-L	20	-	1205-K	H205	FRM52/5	EDK505
SES505-L	20	-	2205-K	H305	FRM52/3,5	EDK505
SES505-L	20	-	22205..-K	H305	FRM52/3,5	EDK505
SES506-605-L	20	-	1305-K	H305	FRM62/7,5	EDK506-605
SES506-605-L	20	-	20305..-K	H305	FRM62/7,5	EDK506-605
SES506-605-L	20	-	2305-K	H2305	FRM62/4	EDK506-605
SES506-605-L	22,225	0,875	1206-K	H206×014	FRM62/8	EDK506-605
SES506-605-L	22,225	0,875	20206..-K	H206×014	FRM62/8	EDK506-605
SES506-605-L	22,225	0,875	2206-K	H306×014	FRM62/6	EDK506-605
SES506-605-L	22,225	0,875	22206..-K	H306×014	FRM62/6	EDK506-605
SES506-605-L	23,813	0,9375	1206-K	H206×015	FRM62/8	EDK506-605
SES506-605-L	23,813	0,9375	20206-K	H206×015	FRM62/8	EDK506-605
SES506-605-L	23,813	0,9375	2206-K	H306×015	FRM62/6	EDK506-605
SES506-605-L	23,813	0,9375	22206..-K	H306×015	FRM62/6	EDK506-605
SES507-606-L	23,813	0,9375	1306-K	H306×015	FRM72/7,5	EDK507-606
SES507-606-L	23,813	0,9375	20306..-K	H306×015	FRM72/7,5	EDK507-606
SES507-606-L	23,813	0,9375	21306..-K	H306×015	FRM72/7,5	EDK507-606
SES507-606-L	23,813	0,9375	2306-K	H2306×015	FRM72/3,5	EDK507-606
SES506-605-L	25	-	1206-K	H206	FRM62/8	EDK506-605
SES506-605-L	25	-	20206..-K	H206	FRM62/8	EDK506-605
SES506-605-L	25	-	2206-K	H306	FRM62/6	EDK506-605
SES506-605-L	25	-	22206..-K	H306	FRM62/6	EDK506-605
SES507-606-L	25	-	1306-K	H306	FRM72/7,5	EDK507-606
SES507-606-L	25	-	20306..-K	H306	FRM72/7,5	EDK507-606
SES507-606-L	25	-	21306..-K	H306	FRM72/7,5	EDK507-606
SES507-606-L	25	-	2306-K	H2306	FRM72/3,5	EDK507-606
SES506-605-L	25,4	1	1206-K	H206×100	FRM62/8	EDK506-605
SES506-605-L	25,4	1	20206..-K	H206×100	FRM62/8	EDK506-605
SES506-605-L	25,4	1	2206-K	H306×100	FRM62/6	EDK506-605
SES506-605-L	25,4	1	22206..-K	H306×100	FRM62/6	EDK506-605
SES507-606-L	25,4	1	1306-K	H306×100	FRM72/7,5	EDK507-606
SES507-606-L	25,4	1	20306..-K	H2306×100	FRM72/7,5	EDK507-606
SES507-606-L	25,4	1	21306..-K	H2306×100	FRM72/7,5	EDK507-606



Labyrinth seal ETS

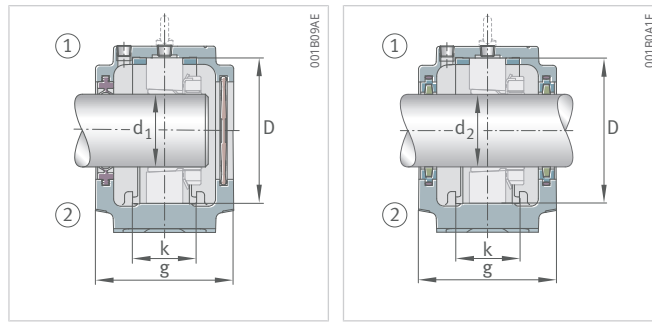
V ring seal EDV

Taconite seal ETC

Double lip seal	Felt seal	Labyrinth seal	g_L	V ring seal	g_V	Taconite seal	g_T
			mm		mm		mm
-	EFS505×012	ETS505×012	80	EDV505×012	67	ETC505×012	125
-	EFS505×012	ETS505×012	80	EDV505×012	67	ETC505×012	125
-	EFS505×012	ETS505×012	80	EDV505×012	67	ETC505×012	125
-	EFS505×012	ETS505×012	80	EDV505×012	67	ETC505×012	125
EDH605×012	EFS605×012	ETS605×012	89	EDV605×012	77	ETC605×012	135
EDH605×012	EFS605×012	ETS605×012	89	EDV605×012	77	ETC605×012	135
EDH605×012	EFS605×012	ETS605×012	89	EDV605×012	77	ETC605×012	135
EDH505	EFS505	ETS505	80	EDV505	67	ETC505	125
EDH505	EFS505	ETS505	80	EDV505	67	ETC505	125
EDH505	EFS505	ETS505	80	EDV505	67	ETC505	125
EDH605	EFS605	ETS605	89	EDV605	77	ETC605	135
EDH605	EFS605	ETS605	89	EDV605	77	ETC605	135
EDH605	EFS605	ETS605	89	EDV605	77	ETC605	135
-	EFS506×014	ETS506×014	89	EDV506×014	77	ETC506×014	135
-	EFS506×014	ETS506×014	89	EDV506×014	77	ETC506×014	135
-	EFS506×014	ETS506×014	89	EDV506×014	77	ETC506×014	135
-	EFS506×014	ETS506×014	89	EDV506×014	77	ETC506×014	135
-	EFS506×015	ETS506×015	89	EDV506×015	77	ETC506×015	135
-	EFS506×015	ETS506×015	89	EDV506×015	77	ETC506×015	135
-	EFS506×015	ETS506×015	89	EDV506×015	77	ETC506×015	135
-	EFS506×015	ETS506×015	89	EDV506×015	77	ETC506×015	135
-	EFS606×015	ETS606×015	94	EDV606×015	82	ETC606×015	140
-	EFS606×015	ETS606×015	94	EDV606×015	82	ETC606×015	140
-	EFS606×015	ETS606×015	94	EDV606×015	82	ETC606×015	140
-	EFS606×015	ETS606×015	94	EDV606×015	82	ETC606×015	140
EDH506	EFS506	ETS506	89	EDV506	77	ETC506	135
EDH506	EFS506	ETS506	89	EDV506	77	ETC506	135
EDH506	EFS506	ETS506	89	EDV506	77	ETC506	135
EDH506	EFS506	ETS506	89	EDV506	77	ETC506	135
EDH606	EFS606	ETS606	94	EDV606	82	ETC606	140
EDH606	EFS606	ETS606	94	EDV606	82	ETC606	140
EDH606	EFS606	ETS606	94	EDV606	82	ETC606	140
EDH606	EFS606	ETS606	94	EDV606	82	ETC606	140
EDH506	EFS506	ETS506×100	89	EDV506	77	ETC506×100	135
EDH506	EFS506	ETS506×100	89	EDV506	77	ETC506×100	135
EDH506	EFS506	ETS506×100	89	EDV506	77	ETC506×100	135
EDH506	EFS506	ETS506×100	89	EDV506	77	ETC506×100	135
EDH606	EFS606	ETS606×100	94	EDV606	82	ETC606	140
EDH606	EFS606	ETS606×100	94	EDV606	82	ETC606	140
EDH606	EFS606	ETS606×100	94	EDV606	82	ETC606	140

11.3 Split plummer block housings SES, accessories, bearings with tapered bore and adapter sleeve

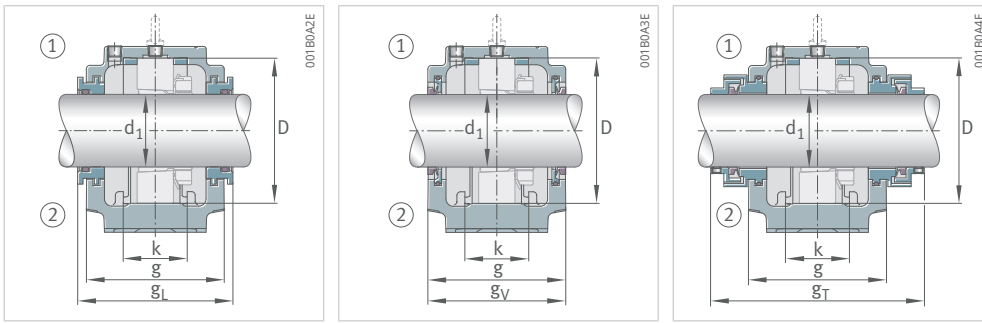
For metric or inch size shaft



Double lip seal EDH, cover

Felt seal EFS

Housing	d ₁		Bearing	Adapter sleeve	Locating ring	Cover
	mm	inch				
SES507-606-L	25,4	1	2306-K	H2306×100	FRM72/3,5	EDK507-606
SES508-607-L	28,575	1,125	1307-K	H307×102	FRM80/9	EDK508-607
SES508-607-L	28,575	1,125	20307-K	H307×102	FRM80/9	EDK508-607
SES508-607-L	28,575	1,125	21307..-K	H307×102	FRM80/9	EDK508-607
SES508-607-L	28,575	1,125	2307-K	H2307×102	FRM80/4	EDK508-607
SES507-606-L	30	-	1207-K	H207	FRM72/8,5	EDK507-606
SES507-606-L	30	-	20207..-K	H207	FRM72/8,5	EDK507-606
SES507-606-L	30	-	2207-K	H307	FRM72/5,5	EDK507-606
SES507-606-L	30	-	22207..-K	H307	FRM72/5,5	EDK507-606
SES508-607-L	30	-	1307-K	H307	FRM80/9	EDK508-607
SES508-607-L	30	-	20307-K	H307	FRM80/9	EDK508-607
SES508-607-L	30	-	21307..-K	H307	FRM80/9	EDK508-607
SES508-607-L	30	-	2307-K	H2307	FRM80/4	EDK508-607
SES507-606-L	30,163	1,1875	1207-K	H207×103	FRM72/8,5	EDK507-606
SES507-606-L	30,163	1,1875	20207-K	H207×103	FRM72/8,5	EDK507-606
SES507-606-L	30,163	1,1875	2207-K	H307×103	FRM72/5,5	EDK507-606
SES507-606-L	30,163	1,1875	22207..-K	H307×103	FRM72/5,5	EDK507-606
SES508-607-L	30,163	1,1875	1307-K	H307×103	FRM80/9	EDK508-607
SES508-607-L	30,163	1,1875	20307..-K	H307×103	FRM80/9	EDK508-607
SES508-607-L	30,163	1,1875	21307..-K	H307×103	FRM80/9	EDK508-607
SES508-607-L	30,163	1,1875	2307-K	H2307×103	FRM80/4	EDK508-607
SES508-607-L	31,75	1,25	1208-K	H208×104	FRM80/10,5	EDK508-607
SES508-607-L	31,75	1,25	20208-K	H208×104	FRM80/10,5	EDK508-607
SES508-607-L	31,75	1,25	2208-K	H308×104	FRM80/8	EDK508-607
SES508-607-L	31,75	1,25	22208..-K	H308×104	FRM80/8	EDK508-607
SES510-608-L	31,75	1,25	1308-K	H308×104	FRM90/9	EDK510-608
SES510-608-L	31,75	1,25	20308-K	H308×104	FRM90/9	EDK510-608
SES510-608-L	31,75	1,25	21308..-K	H308×104	FRM90/9	EDK510-608
SES510-608-L	31,75	1,25	22308..-K	H2308×104	FRM90/4	EDK510-608
SES510-608-L	31,75	1,25	2308-K	H2308×104	FRM90/4	EDK510-608
SES510-608-L	33,338	1,3125	1308-K	H308×105	FRM90/9	EDK510-608
SES510-608-L	33,338	1,3125	20308-K	H308×105	FRM90/9	EDK510-608
SES510-608-L	33,338	1,3125	21308..-K	H308×105	FRM90/9	EDK510-608
SES510-608-L	33,338	1,3125	22308..-K	H2308×105	FRM90/4	EDK510-608
SES510-608-L	33,338	1,3125	2308-K	H2308×105	FRM90/4	EDK510-608
SES508-607-L	34,925	1,375	1208-K	H208×106	FRM80/10,5	EDK508-607
SES508-607-L	34,925	1,375	20208-K	H208×106	FRM80/10,5	EDK508-607
SES508-607-L	34,925	1,375	2208-K	H308×106	FRM80/8	EDK508-607
SES508-607-L	34,925	1,375	22208..-K	H308×106	FRM80/8	EDK508-607
SES510-608-L	34,925	1,375	1308-K	H308×106	FRM90/9	EDK510-608



Labyrinth seal ETS

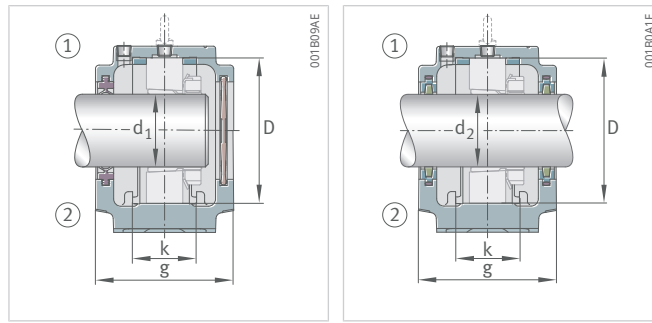
V ring seal EDV

Taconite seal ETC

Double lip seal	Felt seal	Labyrinth seal	g_L	V ring seal	g_V	Taconite seal	g_T
			mm		mm		mm
EDH606	EFS606	ETS606×100	94	EDV606	82	ETC606	140
EDH607×102	EFS607×102	ETS607×102	97	EDV607×102	85	-	-
EDH607×102	EFS607×102	ETS607×102	97	EDV607×102	85	-	-
EDH607×102	EFS607×102	ETS607×102	97	EDV607×102	85	-	-
EDH607×102	EFS607×102	ETS607×102	97	EDV607×102	85	-	-
EDH507-305	EFS507-305	ETS507-305	94	EDV507-305	81	ETC507-305	144
EDH507-305	EFS507-305	ETS507-305	94	EDV507-305	81	ETC507-305	144
EDH507-305	EFS507-305	ETS507-305	94	EDV507-305	81	ETC507-305	144
EDH507-305	EFS507-305	ETS507-305	94	EDV507-305	81	ETC507-305	144
EDH607	EFS607	ETS607	97	EDV607	85	ETC607	145
EDH607	EFS607	ETS607	97	EDV607	85	ETC607	145
EDH607	EFS607	ETS607	97	EDV607	85	ETC607	145
EDH607	EFS607	ETS607	97	EDV607	85	ETC607	145
EDH507-305	EFS507-305	ETS507-305	94	EDV507-305	81	ETC507-305	144
EDH507-305	EFS507-305	ETS507-305	94	EDV507-305	81	ETC507-305	144
EDH507-305	EFS507-305	ETS507-305	94	EDV507-305	81	ETC507-305	144
EDH507-305	EFS507-305	ETS507-305	94	EDV507-305	81	ETC507-305	144
EDH607	EFS607	ETS607	97	EDV607	85	ETC607	145
EDH607	EFS607	ETS607	97	EDV607	85	ETC607	145
EDH607	EFS607	ETS607	97	EDV607	85	ETC607	145
EDH607	EFS607	ETS607	97	EDV607	85	ETC607	145
-	EFS508×104	ETS508×104	97	EDV508×104	85	ETC508×104	150
-	EFS508×104	ETS508×104	97	EDV508×104	85	ETC508×104	150
-	EFS508×104	ETS508×104	97	EDV508×104	85	ETC508×104	150
-	EFS508×104	ETS508×104	97	EDV508×104	85	ETC508×104	150
EDH608×104	EFS608×104	ETS608×104	102	EDV608×104	90	ETC608×104	150
EDH608×104	EFS608×104	ETS608×104	102	EDV608×104	90	ETC608×104	150
EDH608×104	EFS608×104	ETS608×104	102	EDV608×104	90	ETC608×104	150
EDH608×104	EFS608×104	ETS608×104	102	EDV608×104	90	ETC608×104	150
EDH608×104	EFS608×104	ETS608×104	102	EDV608×104	90	ETC608×104	150
EDH608×104	EFS608×105	ETS608×105	102	EDV608×105	90	ETC608×105	150
EDH608×104	EFS608×105	ETS608×105	102	EDV608×105	90	ETC608×105	150
EDH608×104	EFS608×105	ETS608×105	102	EDV608×105	90	ETC608×105	150
EDH608×104	EFS608×105	ETS608×105	102	EDV608×105	90	ETC608×105	150
EDH508	EFS508	ETS508	97	EDV508	85	ETC508	150
EDH508	EFS508	ETS508	97	EDV508	85	ETC508	150
EDH508	EFS508	ETS508	97	EDV508	85	ETC508	150
EDH508	EFS508	ETS508	97	EDV508	85	ETC508	150
EDH608	EFS608	ETS608	102	EDV608	90	ETC608	150

11.3 Split plummer block housings SES, accessories, bearings with tapered bore and adapter sleeve

For metric or inch size shaft

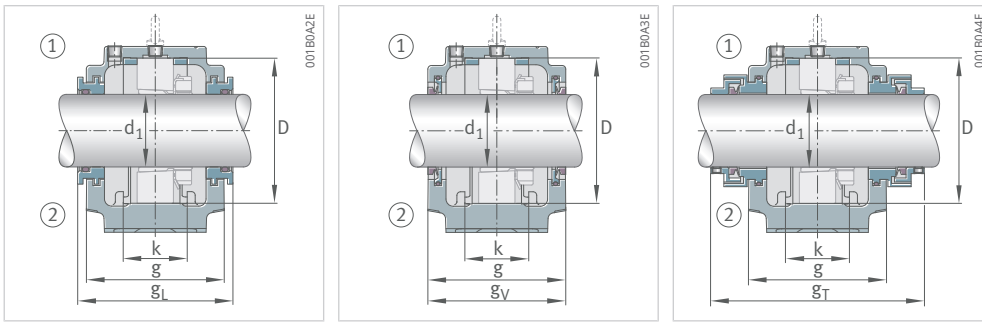


Double lip seal EDH, cover

Felt seal EFS

Housing	d ₁		Bearing	Adapter sleeve	Locating ring	Cover
	mm	inch				
SES510-608-L	34,925	1,375	20308-K	H308×106	FRM90/9	EDK510-608
SES510-608-L	34,925	1,375	21308..-K	H308×106	FRM90/9	EDK510-608
SES510-608-L	34,925	1,375	22308..-K	H2308×106	FRM90/4	EDK510-608
SES510-608-L	34,925	1,375	2308-K	H2308×106	FRM90/4	EDK510-608
SES508-607-L	35	-	1208-K	H208	FRM80/10,5	EDK508-607
SES508-607-L	35	-	20208-K	H208	FRM80/10,5	EDK508-607
SES508-607-L	35	-	2208-K	H308	FRM80/8	EDK508-607
SES508-607-L	35	-	22208..-K	H308	FRM80/8	EDK508-607
SES510-608-L	35	-	1308-K	H308	FRM90/9	EDK510-608
SES510-608-L	35	-	20308-K	H308	FRM90/9	EDK510-608
SES510-608-L	35	-	21308..-K	H308	FRM90/9	EDK510-608
SES510-608-L	35	-	22308..-K	H2308	FRM90/4	EDK510-608
SES510-608-L	35	-	2308-K	H2308	FRM90/4	EDK510-608
SES509-L	36,513	1,4375	1209-K	H209×107	FRM85/5,5	EDK509
SES509-L	36,513	1,4375	20209-K	H209×107	FRM85/5,5	EDK509
SES509-L	36,513	1,4375	2209-K	H309×107	FRM85/3,5	EDK509
SES509-L	36,513	1,4375	22209..-K	H309×107	FRM85/3,5	EDK509
SES511-609-L	36,513	1,4375	1309-K	H309×107	FRM100/9,5	EDK511-609
SES511-609-L	36,513	1,4375	20309-K	H309×107	FRM100/9,5	EDK511-609
SES511-609-L	36,513	1,4375	21309..-K	H309×107	FRM100/9,5	EDK511-609
SES511-609-L	36,513	1,4375	22309..-K	H2309×107	FRM100/4	EDK511-609
SES511-609-L	36,513	1,4375	2309-K	H2309×107	FRM100/4	EDK511-609
SES509-L	38,1	1,5	1209-K	H209×108	FRM85/5,5	EDK509
SES509-L	38,1	1,5	20209-K	H209×108	FRM85/5,5	EDK509
SES509-L	38,1	1,5	2209-K	H309×108	FRM85/3,5	EDK509
SES509-L	38,1	1,5	22209..-K	H309×108	FRM85/3,5	EDK509
SES511-609-L	38,1	1,5	1309-K	H309×108	FRM100/9,5	EDK511-609
SES511-609-L	38,1	1,5	20309-K	H309×108	FRM100/9,5	EDK511-609
SES511-609-L	38,1	1,5	21309..-K	H309×108	FRM100/9,5	EDK511-609
SES511-609-L	38,1	1,5	22309..-K	H2309×108	FRM100/4	EDK511-609
SES511-609-L	38,1	1,5	2309-K	H2309×108	FRM100/4	EDK511-609
SES511-609-L	39,688	1,5625	1309-K	H309×109	FRM100/9,5	EDK511-609
SES511-609-L	39,688	1,5625	20309-K	H309×109	FRM100/9,5	EDK511-609
SES511-609-L	39,688	1,5625	21309..-K	H309×109	FRM100/9,5	EDK511-609
SES511-609-L	39,688	1,5625	22309..-K	H2309×109	FRM100/4	EDK511-609
SES511-609-L	39,688	1,5625	2309-K	H2309×109	FRM100/4	EDK511-609
SES509-L	40	-	1209-K	H209	FRM85/5,5	EDK509
SES509-L	40	-	20209-K	H209	FRM85/5,5	EDK509
SES509-L	40	-	2209-K	H309	FRM85/3,5	EDK509
SES509-L	40	-	22209..-K	H309	FRM85/3,5	EDK509

11



Labyrinth seal ETS

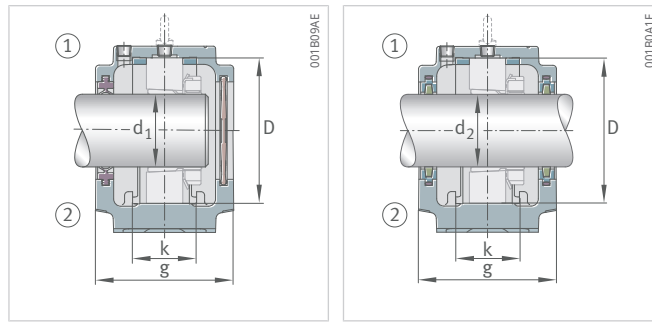
V ring seal EDV

Taconite seal ETC

Double lip seal	Felt seal	Labyrinth seal	g_L	V ring seal	g_V	Taconite seal	g_T
			mm		mm		mm
EDH608	EFS608	ETS608	102	EDV608	90	ETC608	150
EDH608	EFS608	ETS608	102	EDV608	90	ETC608	150
EDH608	EFS608	ETS608	102	EDV608	90	ETC608	150
EDH608	EFS608	ETS608	102	EDV608	90	ETC608	150
EDH508	EFS508	ETS508	97	EDV508	85	ETC508	150
EDH508	EFS508	ETS508	97	EDV508	85	ETC508	150
EDH508	EFS508	ETS508	97	EDV508	85	ETC508	150
EDH508	EFS508	ETS508	97	EDV508	85	ETC508	150
EDH608	EFS608	ETS608	102	EDV608	90	ETC608	150
EDH608	EFS608	ETS608	102	EDV608	90	ETC608	150
EDH608	EFS608	ETS608	102	EDV608	90	ETC608	150
EDH608	EFS608	ETS608	102	EDV608	90	ETC608	150
EDH608	EFS608	ETS608	102	EDV608	90	ETC608	150
EDH509×107	EFS509×107	ETS509×107	97	EDV509×107	85	ETC509×107	150
EDH509×107	EFS509×107	ETS509×107	97	EDV509×107	85	ETC509×107	150
EDH509×107	EFS509×107	ETS509×107	97	EDV509×107	85	ETC509×107	150
EDH509×107	EFS509×107	ETS509×107	97	EDV509×107	85	ETC509×107	150
EDH609×107	EFS609×107	ETS609×107	107	EDV609×107	95	ETC609×107	155
EDH609×107	EFS609×107	ETS609×107	107	EDV609×107	95	ETC609×107	155
EDH609×107	EFS609×107	ETS609×107	107	EDV609×107	95	ETC609×107	155
EDH609×107	EFS609×107	ETS609×107	107	EDV609×107	95	ETC609×107	155
EDH609×107	EFS609×107	ETS609×107	107	EDV609×107	95	ETC609×107	155
-	EFS509×108	ETS509×108	97	EDV509×108	85	ETC509×108	150
-	EFS509×108	ETS509×108	97	EDV509×108	85	ETC509×108	150
-	EFS509×108	ETS509×108	97	EDV509×108	85	ETC509×108	150
-	EFS509×108	ETS509×108	97	EDV509×108	85	ETC509×108	150
EDH609×107	EFS609×108	ETS609×108	107	EDV609×108	95	ETC609×108	155
EDH609×107	EFS609×108	ETS609×108	107	EDV609×108	95	ETC609×108	155
EDH609×107	EFS609×108	ETS609×108	107	EDV609×108	95	ETC609×108	155
EDH609×107	EFS609×108	ETS609×108	107	EDV609×108	95	ETC609×108	155
EDH609×107	EFS609×108	ETS609×108	107	EDV609×108	95	ETC609×108	155
EDH609	EFS609	ETS609	107	EDV609	95	ETC609	155
EDH609	EFS609	ETS609	107	EDV609	95	ETC609	155
EDH609	EFS609	ETS609	107	EDV609	95	ETC609	155
EDH609	EFS609	ETS609	107	EDV609	95	ETC609	155
EDH609	EFS609	ETS609	107	EDV609	95	ETC609	155
EDH609	EFS609	ETS609	107	EDV609	95	ETC609	155
EDH509	EFS509	ETS509	97	EDV509	85	ETC509	150
EDH509	EFS509	ETS509	97	EDV509	85	ETC509	150
EDH509	EFS509	ETS509	97	EDV509	85	ETC509	150
EDH509	EFS509	ETS509	97	EDV509	85	ETC509	150

11.3 Split plummer block housings SES, accessories, bearings with tapered bore and adapter sleeve

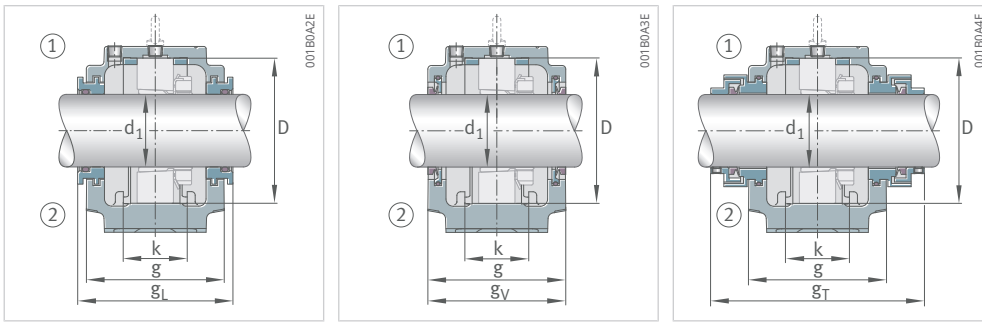
For metric or inch size shaft



Double lip seal EDH, cover

Felt seal EFS

Housing	d ₁		Bearing	Adapter sleeve	Locating ring	Cover
	mm	inch				
SES511-609-L	40	-	1309-K	H309	FRM100/9,5	EDK511-609
SES511-609-L	40	-	20309-K	H309	FRM100/9,5	EDK511-609
SES511-609-L	40	-	21309..-K	H309	FRM100/9,5	EDK511-609
SES511-609-L	40	-	22309..-K	H2309	FRM100/4	EDK511-609
SES511-609-L	40	-	2309-K	H2309	FRM100/4	EDK511-609
SES512-610-L	41,275	1,625	1310-K	H310×110	FRM110/10,5	EDK512-610
SES512-610-L	41,275	1,625	20310-K	H310×110	FRM110/10,5	EDK512-610
SES512-610-L	41,275	1,625	21310..-K	H310×110	FRM110/10,5	EDK512-610
SES512-610-L	41,275	1,625	22310..-K	H2310×110	FRM110/4	EDK512-610
SES512-610-L	41,275	1,625	2310-K	H2310×110	FRM110/4	EDK512-610
SES510-608-L	42,863	1,6875	1210-K	H210×111	FRM90/10,5	EDK510-608
SES510-608-L	42,863	1,6875	20210-K	H210×111	FRM90/10,5	EDK510-608
SES510-608-L	42,863	1,6875	2210-K	H310×111	FRM90/9	EDK510-608
SES510-608-L	42,863	1,6875	22210..-K	H310×111	FRM90/9	EDK510-608
SES512-610-L	42,863	1,6875	1310-K	H310×111	FRM110/10,5	EDK512-610
SES512-610-L	42,863	1,6875	20310-K	H310×111	FRM110/10,5	EDK512-610
SES512-610-L	42,863	1,6875	21310..-K	H310×111	FRM110/10,5	EDK512-610
SES512-610-L	42,863	1,6875	22310..-K	H2310×111	FRM110/4	EDK512-610
SES512-610-L	42,863	1,6875	2310-K	H2310×111	FRM110/4	EDK512-610
SES510-608-L	44,45	1,75	1210-K	H210×112	FRM90/10,5	EDK510-608
SES510-608-L	44,45	1,75	20210-K	H210×112	FRM90/10,5	EDK510-608
SES510-608-L	44,45	1,75	2210-K	H310×112	FRM90/9	EDK510-608
SES510-608-L	44,45	1,75	22210..-K	H310×112	FRM90/9	EDK510-608
SES512-610-L	44,45	1,75	1310-K	H310×112	FRM110/10,5	EDK512-610
SES512-610-L	44,45	1,75	20310-K	H310×112	FRM110/10,5	EDK512-610
SES512-610-L	44,45	1,75	21310..-K	H310×112	FRM110/10,5	EDK512-610
SES512-610-L	44,45	1,75	22310..-K	H2310×112	FRM110/4	EDK512-610
SES512-610-L	44,45	1,75	2310-K	H2310×112	FRM110/4	EDK512-610
SES510-608-L	45	-	1210-K	H210	FRM90/10,5	EDK510-608
SES510-608-L	45	-	20210-K	H210	FRM90/10,5	EDK510-608
SES510-608-L	45	-	2210-K	H310	FRM90/9	EDK510-608
SES510-608-L	45	-	22210..-K	H310	FRM90/9	EDK510-608
SES512-610-L	45	-	1310-K	H310	FRM110/10,5	EDK512-610
SES512-610-L	45	-	20310-K	H310	FRM110/10,5	EDK512-610
SES512-610-L	45	-	21310..-K	H310	FRM110/10,5	EDK512-610
SES512-610-L	45	-	22310..-K	H2310	FRM110/4	EDK512-610
SES512-610-L	45	-	2310-K	H2310	FRM110/4	EDK512-610
SES513-611-L	47,625	1,875	1311-K	H311×114	FRM120/11	EDK513-611
SES513-611-L	47,625	1,875	20311-K	H311×114	FRM120/11	EDK513-611
SES513-611-L	47,625	1,875	21311..-K	H311×114	FRM120/11	EDK513-611



Labyrinth seal ETS

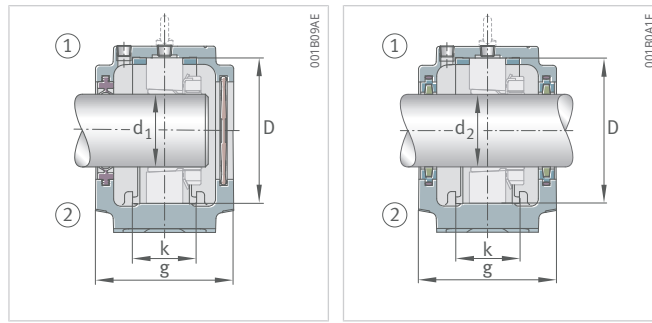
V ring seal EDV

Taconite seal ETC

Double lip seal	Felt seal	Labyrinth seal	g_L	V ring seal	g_V	Taconite seal	g_T
			mm		mm		mm
EDH609	EFS609	ETS609	107	EDV609	95	ETC609	155
EDH609	EFS609	ETS609	107	EDV609	95	ETC609	155
EDH609	EFS609	ETS609	107	EDV609	95	ETC609	155
EDH609	EFS609	ETS609	107	EDV609	95	ETC609	155
EDH609	EFS609	ETS609	107	EDV609	95	ETC609	155
EDH610×110	EFS610×110	ETS610×110	117	EDV610×110	105	ETC610×110	165
EDH610×110	EFS610×110	ETS610×110	117	EDV610×110	105	ETC610×110	165
EDH610×110	EFS610×110	ETS610×110	117	EDV610×110	105	ETC610×110	165
EDH610×110	EFS610×110	ETS610×110	117	EDV610×110	105	ETC610×110	165
EDH610×110	EFS610×110	ETS610×110	117	EDV610×110	105	ETC610×110	165
-	EFS510×111	ETS510×111	102	EDV510×111	90	ETC510×111	155
-	EFS510×111	ETS510×111	102	EDV510×111	90	ETC510×111	155
-	EFS510×111	ETS510×111	102	EDV510×111	90	ETC510×111	155
-	EFS510×111	ETS510×111	102	EDV510×111	90	ETC510×111	155
EDH610×110	EFS610×111	ETS610×111	117	EDV610×111	105	ETC610×111	165
EDH610×110	EFS610×111	ETS610×111	117	EDV610×111	105	ETC610×111	165
EDH610×110	EFS610×111	ETS610×111	117	EDV610×111	105	ETC610×111	165
EDH610×110	EFS610×111	ETS610×111	117	EDV610×111	105	ETC610×111	165
EDH610×110	EFS610×111	ETS610×111	117	EDV610×111	105	ETC610×111	165
EDH510-307	EFS510-307	ETS510×112	102	EDV510-307	88	ETC510-307	148
EDH510-307	EFS510-307	ETS510×112	102	EDV510-307	88	ETC510-307	148
EDH510-307	EFS510-307	ETS510×112	102	EDV510-307	88	ETC510-307	148
EDH510-307	EFS510-307	ETS510×112	102	EDV510-307	88	ETC510-307	148
EDH610	EFS610	ETS610×112	117	EDV610	105	ETC610	165
EDH610	EFS610	ETS610×112	117	EDV610	105	ETC610	165
EDH610	EFS610	ETS610×112	117	EDV610	105	ETC610	165
EDH610	EFS610	ETS610×112	117	EDV610	105	ETC610	165
EDH610	EFS610	ETS610×112	117	EDV610	105	ETC610	165
EDH510-307	EFS510-307	ETS510-307	102	EDV510-307	88	ETC510-307	148
EDH510-307	EFS510-307	ETS510-307	102	EDV510-307	88	ETC510-307	148
EDH510-307	EFS510-307	ETS510-307	102	EDV510-307	88	ETC510-307	148
EDH510-307	EFS510-307	ETS510-307	102	EDV510-307	88	ETC510-307	148
EDH610	EFS610	ETS610	117	EDV610	105	ETC610	165
EDH610	EFS610	ETS610	117	EDV610	105	ETC610	165
EDH610	EFS610	ETS610	117	EDV610	105	ETC610	165
EDH610	EFS610	ETS610	117	EDV610	105	ETC610	165
EDH610	EFS610	ETS610	117	EDV610	105	ETC610	165
EDH611×114	EFS611×114	ETS611×114	122	EDV611×114	110	ETC611×114	170
EDH611×114	EFS611×114	ETS611×114	122	EDV611×114	110	ETC611×114	170
EDH611×114	EFS611×114	ETS611×114	122	EDV611×114	110	ETC611×114	170

11.3 Split plummer block housings SES, accessories, bearings with tapered bore and adapter sleeve

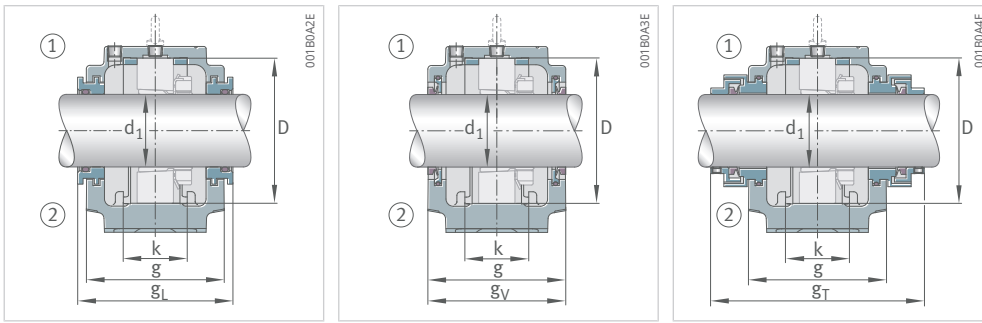
For metric or inch size shaft



Double lip seal EDH, cover

Felt seal EFS

Housing	d ₁		Bearing	Adapter sleeve	Locating ring	Cover
	mm	inch				
SES513-611-L	47,625	1,875	22311...-K	H2311×114	FRM120/4	EDK513-611
SES513-611-L	47,625	1,875	2311-K	H2311×114	FRM120/4	EDK513-611
SES511-609-L	49,213	1,9375	1211-K	H211×115	FRM100/11,5	EDK511-609
SES511-609-L	49,213	1,9375	20211-K	H211×115	FRM100/11,5	EDK511-609
SES511-609-L	49,213	1,9375	2211-K	H311×115	FRM100/9,5	EDK511-609
SES511-609-L	49,213	1,9375	22211...-K	H311×115	FRM100/9,5	EDK511-609
SES513-611-L	49,213	1,9375	1311-K	H311×115	FRM120/11	EDK513-611
SES513-611-L	49,213	1,9375	20311-K	H311×115	FRM120/11	EDK513-611
SES513-611-L	49,213	1,9375	21311...-K	H311×115	FRM120/11	EDK513-611
SES513-611-L	49,213	1,9375	22311...-K	H2311×115	FRM120/4	EDK513-611
SES513-611-L	49,213	1,9375	2311-K	H2311×115	FRM120/4	EDK513-611
SES511-609-L	50	-	1211-K	H211	FRM100/11,5	EDK511-609
SES511-609-L	50	-	20211-K	H211	FRM100/11,5	EDK511-609
SES511-609-L	50	-	2211-K	H311	FRM100/9,5	EDK511-609
SES511-609-L	50	-	22211...-K	H311	FRM100/9,5	EDK511-609
SES513-611-L	50	-	1311-K	H311	FRM120/11	EDK513-611
SES513-611-L	50	-	20311-K	H311	FRM120/11	EDK513-611
SES513-611-L	50	-	21311...-K	H311	FRM120/11	EDK513-611
SES513-611-L	50	-	22311...-K	H2311	FRM120/4	EDK513-611
SES513-611-L	50	-	2311-K	H2311	FRM120/4	EDK513-611
SES511-609-L	50,8	2	1211-K	H211×200	FRM100/11,5	EDK511-609
SES511-609-L	50,8	2	20211-K	H211×200	FRM100/11,5	EDK511-609
SES511-609-L	50,8	2	2211-K	H311×200	FRM100/9,5	EDK511-609
SES511-609-L	50,8	2	22211...-K	H311×200	FRM100/9,5	EDK511-609
SES513-611-L	50,8	2	1311-K	H311×200	FRM120/11	EDK513-611
SES513-611-L	50,8	2	20311-K	H311×200	FRM120/11	EDK513-611
SES513-611-L	50,8	2	21311...-K	H311×200	FRM120/11	EDK513-611
SES513-611-L	50,8	2	22311...-K	H2311×200	FRM120/4	EDK513-611
SES513-611-L	50,8	2	2311-K	H2311×200	FRM120/4	EDK513-611
SES512-610-L	55	-	1212-K	H212	FRM110/13	EDK512-610
SES512-610-L	55	-	20212-K	H212	FRM110/13	EDK512-610
SES512-610-L	55	-	2212-K	H312	FRM110/10	EDK512-610
SES512-610-L	55	-	22212...-K	H312	FRM110/10	EDK512-610
SES512-610-L	55	-	222SM55-TVPA	-	FRM110/10	EDK512-610
SES515-612-L	55	-	1312-K	H312	FRM130/12,5	EDK515-612
SES515-612-L	55	-	20312-K	H312	FRM130/12,5	EDK515-612
SES515-612-L	55	-	21312...-K	H312	FRM130/12,5	EDK515-612
SES515-612-L	55	-	22312...-K	H2312	FRM130/5	EDK515-612
SES515-612-L	55	-	2312-K	H2312	FRM130/5	EDK515-612
SES513-611-L	55,563	2,1875	1213-K	H213×203	FRM120/14	EDK513-611



Labyrinth seal ETS

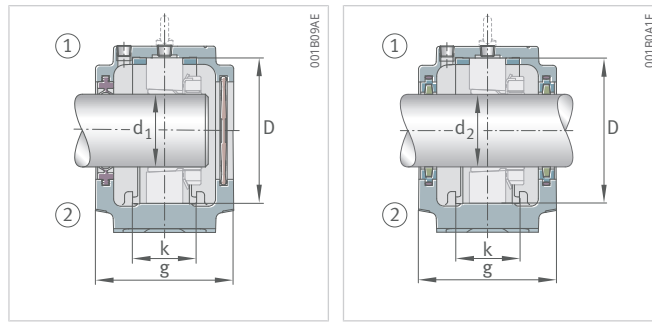
V ring seal EDV

Taconite seal ETC

Double lip seal	Felt seal	Labyrinth seal	g_L	V ring seal	g_V	Taconite seal	g_T
			mm		mm		mm
EDH611×114	EFS611×114	ETS611×114	122	EDV611×114	110	ETC611×114	170
EDH611×114	EFS611×114	ETS611×114	122	EDV611×114	110	ETC611×114	170
EDH511	EFS511×115	ETS511×115	107	EDV511×115	95	ETC511×115	165
EDH511	EFS511×115	ETS511×115	107	EDV511×115	95	ETC511×115	165
EDH511	EFS511×115	ETS511×115	107	EDV511×115	95	ETC511×115	165
EDH511	EFS511×115	ETS511×115	107	EDV511×115	95	ETC511×115	165
EDH611	EFS611×115	ETS611×115	122	EDV611×115	110	ETC611×115	170
EDH611	EFS611×115	ETS611×115	122	EDV611×115	110	ETC611×115	170
EDH611	EFS611×115	ETS611×115	122	EDV611×115	110	ETC611×115	170
EDH611	EFS611×115	ETS611×115	122	EDV611×115	110	ETC611×115	170
EDH611	EFS611×115	ETS611×115	122	EDV611×115	110	ETC611×115	170
EDH511	EFS511	ETS511	107	EDV511	95	ETC511	165
EDH511	EFS511	ETS511	107	EDV511	95	ETC511	165
EDH511	EFS511	ETS511	107	EDV511	95	ETC511	165
EDH511	EFS511	ETS511	107	EDV511	95	ETC511	165
EDH611	EFS611	ETS611	122	EDV611	110	ETC611	170
EDH611	EFS611	ETS611	122	EDV611	110	ETC611	170
EDH611	EFS611	ETS611	122	EDV611	110	ETC611	170
EDH611	EFS611	ETS611	122	EDV611	110	ETC611	170
EDH611	EFS611	ETS611	122	EDV611	110	ETC611	170
EDH511	EFS511	ETS511×200	107	EDV511	95	ETC511×200	165
EDH511	EFS511	ETS511×200	107	EDV511	95	ETC511×200	165
EDH511	EFS511	ETS511×200	107	EDV511	95	ETC511×200	165
EDH511	EFS511	ETS511×200	107	EDV511	95	ETC511×200	165
EDH611	EFS611	ETS611×200	122	EDV611	110	ETC611×200	170
EDH611	EFS611	ETS611×200	122	EDV611	110	ETC611×200	170
EDH611	EFS611	ETS611×200	122	EDV611	110	ETC611×200	170
EDH611	EFS611	ETS611×200	122	EDV611	110	ETC611×200	170
EDH611	EFS611	ETS611×200	122	EDV611	110	ETC611×200	170
EDH512	EFS512	ETS512	117	EDV512	105	ETC512	175
EDH512	EFS512	ETS512	117	EDV512	105	ETC512	175
EDH512	EFS512	ETS512	117	EDV512	105	ETC512	175
EDH512	EFS512	ETS512	117	EDV512	105	ETC512	175
EDH512	EFS512	ETS512	117	EDV512	105	ETC512	175
EDH612	EFS612	ETS612	127	EDV612	115	ETC612	175
EDH612	EFS612	ETS612	127	EDV612	115	ETC612	175
EDH612	EFS612	ETS612	127	EDV612	115	ETC612	175
EDH612	EFS612	ETS612	127	EDV612	115	ETC612	175
EDH612	EFS612	ETS612	127	EDV612	115	ETC612	175
EDH513×203	EFS513×203	ETS513×203	122	EDV513×203	110	ETC513×203	180

11.3 Split plummer block housings SES, accessories, bearings with tapered bore and adapter sleeve

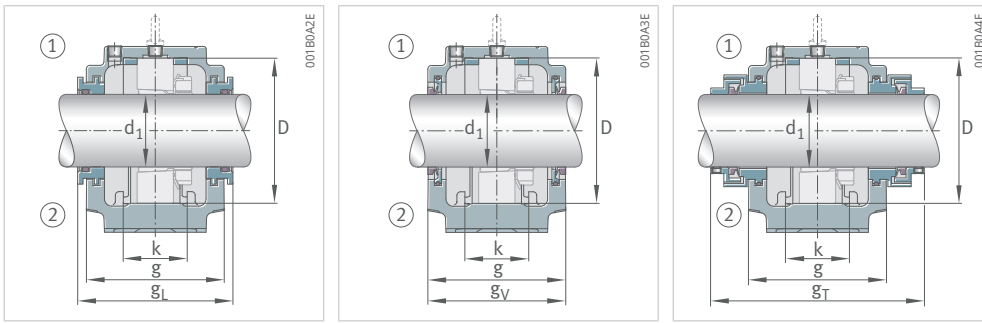
For metric or inch size shaft



Double lip seal EDH, cover

Felt seal EFS

Housing	d ₁		Bearing	Adapter sleeve	Locating ring	Cover
	mm	inch				
SES513-611-L	55,563	2,1875	20213-K	H213×203	FRM120/14	EDK513-611
SES513-611-L	55,563	2,1875	2213-K	H313×203	FRM120/10	EDK513-611
SES513-611-L	55,563	2,1875	22213..-K	H313×203	FRM120/10	EDK513-611
SES513-611-L	55,563	2,1875	222S.203	-	FRM120/10	EDK513-611
SES516-613-L	55,563	2,1875	1313-K	H313×203	FRM140/12,5	EDK516-613
SES516-613-L	55,563	2,1875	20313-K	H313×203	FRM140/12,5	EDK516-613
SES516-613-L	55,563	2,1875	21313..-K	H313×203	FRM140/12,5	EDK516-613
SES516-613-L	55,563	2,1875	22313..-K	H2313×203	FRM140/5	EDK516-613
SES516-613-L	55,563	2,1875	2313-K	H2313×203	FRM140/5	EDK516-613
SES513-611-L	57,15	2,25	1213-K	H213×204	FRM120/14	EDK513-611
SES513-611-L	57,15	2,25	20213-K	H213×204	FRM120/14	EDK513-611
SES513-611-L	57,15	2,25	2213-K	H313×204	FRM120/10	EDK513-611
SES513-611-L	57,15	2,25	22213..-K	H313×204	FRM120/10	EDK513-611
SES513-611-L	57,15	2,25	222S.204	-	FRM120/10	EDK513-611
SES516-613-L	57,15	2,25	1313-K	H313×204	FRM140/12,5	EDK516-613
SES516-613-L	57,15	2,25	20313-K	H313×204	FRM140/12,5	EDK516-613
SES516-613-L	57,15	2,25	21313..-K	H313×204	FRM140/12,5	EDK516-613
SES516-613-L	57,15	2,25	22313..-K	H2313×204	FRM140/5	EDK516-613
SES516-613-L	57,15	2,25	2313-K	H2313×204	FRM140/5	EDK516-613
SES513-611-L	60	-	1213-K	H213	FRM120/14	EDK513-611
SES513-611-L	60	-	20213-K	H213	FRM120/14	EDK513-611
SES513-611-L	60	-	2213-K	H313	FRM120/10	EDK513-611
SES513-611-L	60	-	22213..-K	H313	FRM120/10	EDK513-611
SES513-611-L	60	-	222SM60-TVPA	-	FRM120/10	EDK513-611
SES516-613-L	60	-	1313-K	H313	FRM140/12,5	EDK516-613
SES516-613-L	60	-	20313-K	H313	FRM140/12,5	EDK516-613
SES516-613-L	60	-	21313..-K	H313	FRM140/12,5	EDK516-613
SES516-613-L	60	-	22313..-K	H2313	FRM140/5	EDK516-613
SES516-613-L	60	-	2313-K	H2313	FRM140/5	EDK516-613
SES516-613-L	60,325	2,375	1313-K	H313×206	FRM140/12,5	EDK516-613
SES516-613-L	60,325	2,375	20313-K	H313×206	FRM140/12,5	EDK516-613
SES516-613-L	60,325	2,375	21313..-K	H313×206	FRM140/12,5	EDK516-613
SES516-613-L	60,325	2,375	22313..-K	H2313×206	FRM140/5	EDK516-613
SES516-613-L	60,325	2,375	2313..-K	H2313×206	FRM140/5	EDK516-613
SES515-612-L	61,913	2,4375	1215-K	H215×207	FRM130/15,5	EDK515-612
SES515-612-L	61,913	2,4375	20215-K	H215×207	FRM130/15,5	EDK515-612
SES515-612-L	61,913	2,4375	2215-K	H315×207	FRM130/12,5	EDK515-612
SES515-612-L	61,913	2,4375	22215..-K	H315×207	FRM130/12,5	EDK515-612
SES515-612-L	61,913	2,4375	222S.207	-	FRM130/12,5	EDK515-612
SES518-615-L	61,913	2,4375	1315-K	H315×207	FRM160/14	EDK518-615



Labyrinth seal ETS

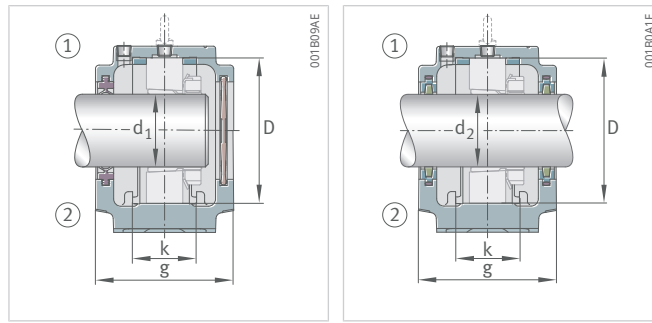
V ring seal EDV

Taconite seal ETC

Double lip seal	Felt seal	Labyrinth seal	g_L	V ring seal	g_V	Taconite seal	g_T
			mm		mm		mm
EDH513×203	EFS513×203	ETS513×203	122	EDV513×203	110	ETC513×203	180
EDH513×203	EFS513×203	ETS513×203	122	EDV513×203	110	ETC513×203	180
EDH513×203	EFS513×203	ETS513×203	122	EDV513×203	110	ETC513×203	180
EDH513×203	EFS513×203	ETS513×203	122	EDV513×203	110	ETC513×203	180
-	EFS613×203	ETS613×203	134	EDV613×203	120	ETC613×203	180
-	EFS613×203	ETS613×203	134	EDV613×203	120	ETC613×203	180
-	EFS613×203	ETS613×203	134	EDV613×203	120	ETC613×203	180
-	EFS613×203	ETS613×203	134	EDV613×203	120	ETC613×203	180
-	EFS613×203	ETS613×203	134	EDV613×203	120	ETC613×203	180
-	EFS513×204	ETS513×204	122	EDV513×204	110	ETC513×204	180
-	EFS513×204	ETS513×204	122	EDV513×204	110	ETC513×204	180
-	EFS513×204	ETS513×204	122	EDV513×204	110	ETC513×204	180
-	EFS513×204	ETS513×204	122	EDV513×204	110	ETC513×204	180
-	EFS513×204	ETS513×204	122	EDV513×204	110	ETC513×204	180
-	EFS613×204	ETS613×204	134	EDV613×204	120	ETC613×204	180
-	EFS613×204	ETS613×204	134	EDV613×204	120	ETC613×204	180
-	EFS613×204	ETS613×204	134	EDV613×204	120	ETC613×204	180
-	EFS613×204	ETS613×204	134	EDV613×204	120	ETC613×204	180
-	EFS613×204	ETS613×204	134	EDV613×204	120	ETC613×204	180
-	EFS613×204	ETS613×204	134	EDV613×204	120	ETC613×204	180
-	EFS613×204	ETS613×204	134	EDV613×204	120	ETC613×204	180
EDH513	EFS513	ETS513	122	EDV513	110	ETC513	180
EDH513	EFS513	ETS513	122	EDV513	110	ETC513	180
EDH513	EFS513	ETS513	122	EDV513	110	ETC513	180
EDH513	EFS513	ETS513	122	EDV513	110	ETC513	180
EDH513	EFS513	ETS513	122	EDV513	110	ETC513	180
EDH613	EFS613	ETS613	134	EDV613	120	ETC613	180
EDH613	EFS613	ETS613	134	EDV613	120	ETC613	180
EDH613	EFS613	ETS613	134	EDV613	120	ETC613	180
EDH613	EFS613	ETS613	134	EDV613	120	ETC613	180
EDH613	EFS613	ETS613	134	EDV613	120	ETC613	180
EDH613	EFS613	ETS613	134	EDV613	120	ETC613	180
EDH613	EFS613	ETS613	134	EDV613	120	ETC613	180
EDH613	EFS613	ETS613	134	EDV613	120	ETC613	180
EDH613	EFS613	ETS613	134	EDV613	120	ETC613	180
EDH613	EFS613	ETS613	134	EDV613	120	ETC613	180
EDH613	EFS613	ETS613	134	EDV613	120	ETC613	180
EDH515×207	EFS515×207	ETS515×207	127	EDV515×207	115	ETC515×207	175
EDH515×207	EFS515×207	ETS515×207	127	EDV515×207	115	ETC515×207	175
EDH515×207	EFS515×207	ETS515×207	127	EDV515×207	115	ETC515×207	175
EDH515×207	EFS515×207	ETS515×207	127	EDV515×207	115	ETC515×207	175
EDH515×207	EFS515×207	ETS515×207	127	EDV515×207	115	ETC515×207	175
EDH615×207	EFS615×207	ETS615×207	154	EDV615×207	140	ETC615×207	200

11.3 Split plummer block housings SES, accessories, bearings with tapered bore and adapter sleeve

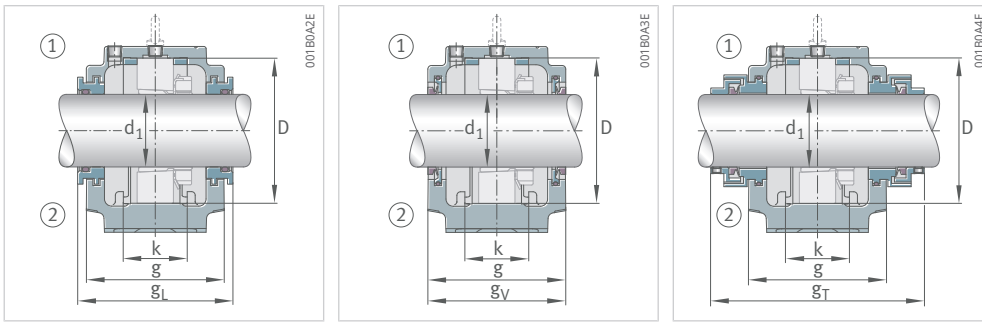
For metric or inch size shaft



Double lip seal EDH, cover

Felt seal EFS

Housing	d ₁		Bearing	Adapter sleeve	Locating ring	Cover
	mm	inch				
SES518-615-L	61,913	2,4375	20315-K	H315×207	FRM160/14	EDK518-615
SES518-615-L	61,913	2,4375	21315..-K	H315×207	FRM160/14	EDK518-615
SES518-615-L	61,913	2,4375	22315..-K	H2315×207	FRM160/5	EDK518-615
SES518-615-L	61,913	2,4375	2315-K	H2315×207	FRM160/5	EDK518-615
SES515-612-L	63,5	2,5	1215-K	H215×208	FRM130/15,5	EDK515-612
SES515-612-L	63,5	2,5	20215-K	H215×208	FRM130/15,5	EDK515-612
SES515-612-L	63,5	2,5	2215-K	H315×208	FRM130/12,5	EDK515-612
SES515-612-L	63,5	2,5	22215..-K	H315×208	FRM130/12,5	EDK515-612
SES515-612-L	63,5	2,5	222S.208	-	FRM130/12,5	EDK515-612
SES518-615-L	63,5	2,5	1315-K	H315×208	FRM160/14	EDK518-615
SES518-615-L	63,5	2,5	20315-K	H315×208	FRM160/14	EDK518-615
SES518-615-L	63,5	2,5	21315..-K	H315×208	FRM160/14	EDK518-615
SES518-615-L	63,5	2,5	22315..-K	H2315×208	FRM160/5	EDK518-615
SES518-615-L	63,5	2,5	2315-K	H2315×208	FRM160/5	EDK518-615
SES515-612-L	65	-	1215-K	H215	FRM130/15,5	EDK515-612
SES515-612-L	65	-	20215-K	H215	FRM130/15,5	EDK515-612
SES515-612-L	65	-	2215-K	H315	FRM130/12,5	EDK515-612
SES515-612-L	65	-	22215..-K	H315	FRM130/12,5	EDK515-612
SES515-612-L	65	-	222SM65-TVPA	-	FRM130/12,5	EDK515-612
SES518-615-L	65	-	1315-K	H315	FRM160/14	EDK518-615
SES518-615-L	65	-	20315-K	H315	FRM160/14	EDK518-615
SES518-615-L	65	-	21315..-K	H315	FRM160/14	EDK518-615
SES518-615-L	65	-	22315..-K	H2315	FRM160/5	EDK518-615
SES518-615-L	65	-	2315-K	H2315	FRM160/5	EDK518-615
SES518-615-L	66,675	2,625	1315-K	H315×210	FRM160/14	EDK518-615
SES518-615-L	66,675	2,625	20315-K	H315×210	FRM160/14	EDK518-615
SES518-615-L	66,675	2,625	21315..-K	H315×210	FRM160/14	EDK518-615
SES518-615-L	66,675	2,625	22315..-K	H2315×210	FRM160/5	EDK518-615
SES518-615-L	66,675	2,625	2315-K	H2315×210	FRM160/5	EDK518-615
SES516-613-L	68,263	2,6875	1216-K	H216×211	FRM140/16	EDK516-613
SES516-613-L	68,263	2,6875	20216-K	H216×211	FRM140/16	EDK516-613
SES516-613-L	68,263	2,6875	2216-K	H316×211	FRM140/12,5	EDK516-613
SES516-613-L	68,263	2,6875	22216..-K	H316×211	FRM140/12,5	EDK516-613
SES516-613-L	68,263	2,6875	222S.211	-	FRM140/12,5	EDK516-613
SES519-616-L	68,263	2,6875	1316-K	H316×211	FRM170/14,5	EDK519-616
SES519-616-L	68,263	2,6875	20316-K	H316×211	FRM170/14,5	EDK519-616
SES519-616-L	68,263	2,6875	21316..-K	H316×211	FRM170/14,5	EDK519-616
SES519-616-L	68,263	2,6875	22316..-K	H2316×211	FRM170/5	EDK519-616
SES519-616-L	68,263	2,6875	2316-K	H2316×211	FRM170/5	EDK519-616
SES516-613-L	69,85	2,75	1216-K	H216×212	FRM140/16	EDK516-613



Labyrinth seal ETS

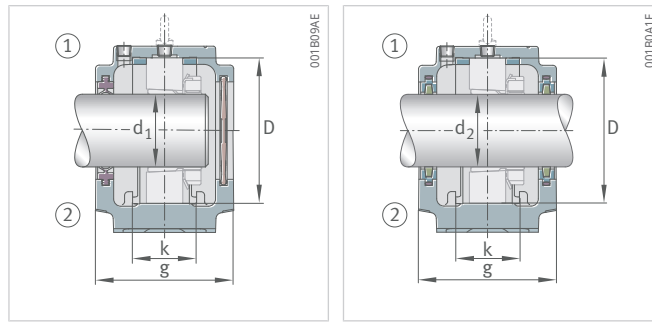
V ring seal EDV

Taconite seal ETC

Double lip seal	Felt seal	Labyrinth seal	g_L	V ring seal	g_V	Taconite seal	g_T
			mm		mm		mm
EDH615×207	EFS615×207	ETS615×207	154	EDV615×207	140	ETC615×207	200
EDH615×207	EFS615×207	ETS615×207	154	EDV615×207	140	ETC615×207	200
EDH615×207	EFS615×207	ETS615×207	154	EDV615×207	140	ETC615×207	200
EDH615×207	EFS615×207	ETS615×207	154	EDV615×207	140	ETC615×207	200
EDH515×207	EFS515×208	ETS515×208	127	EDV515×208	115	ETC515×208	175
EDH515×207	EFS515×208	ETS515×208	127	EDV515×208	115	ETC515×208	175
EDH515×207	EFS515×208	ETS515×208	127	EDV515×208	115	ETC515×208	175
EDH515×207	EFS515×208	ETS515×208	127	EDV515×208	115	ETC515×208	175
EDH515×207	EFS515×208	ETS515×208	127	EDV515×208	115	ETC515×208	175
EDH615×207	EFS615×208	ETS615×208	154	EDV615×208	140	ETC615×208	200
EDH615×207	EFS615×208	ETS615×208	154	EDV615×208	140	ETC615×208	200
EDH615×207	EFS615×208	ETS615×208	154	EDV615×208	140	ETC615×208	200
EDH615×207	EFS615×208	ETS615×208	154	EDV615×208	140	ETC615×208	200
EDH615×207	EFS615×208	ETS615×208	154	EDV615×208	140	ETC615×208	200
EDH515	EFS515	ETS515	127	EDV515	115	ETC515	175
EDH515	EFS515	ETS515	127	EDV515	115	ETC515	175
EDH515	EFS515	ETS515	127	EDV515	115	ETC515	175
EDH515	EFS515	ETS515	127	EDV515	115	ETC515	175
EDH515	EFS515	ETS515	127	EDV515	115	ETC515	175
EDH615	EFS615	ETS615	154	EDV615	140	ETC615	200
EDH615	EFS615	ETS615	154	EDV615	140	ETC615	200
EDH615	EFS615	ETS615	154	EDV615	140	ETC615	200
EDH615	EFS615	ETS615	154	EDV615	140	ETC615	200
EDH615	EFS615	ETS615	154	EDV615	140	ETC615	200
EDH615	EFS615×210	ETS615×210	154	EDV615×210	140	ETC615×210	200
EDH615	EFS615×210	ETS615×210	154	EDV615×210	140	ETC615×210	200
EDH615	EFS615×210	ETS615×210	154	EDV615×210	140	ETC615×210	200
EDH615	EFS615×210	ETS615×210	154	EDV615×210	140	ETC615×210	200
EDH615	EFS615×210	ETS615×210	154	EDV615×210	140	ETC615×210	200
EDH516×211	EFS516×211	ETS516×211	134	EDV516×211	120	ETC516×211	205
EDH516×211	EFS516×211	ETS516×211	134	EDV516×211	120	ETC516×211	205
EDH516×211	EFS516×211	ETS516×211	134	EDV516×211	120	ETC516×211	205
EDH516×211	EFS516×211	ETS516×211	134	EDV516×211	120	ETC516×211	205
EDH516×211	EFS516×211	ETS516×211	134	EDV516×211	120	ETC516×211	205
EDH616×211	EFS616×211	ETS616×211	161	EDV616×211	145	ETC616×211	205
EDH616×211	EFS616×211	ETS616×211	161	EDV616×211	145	ETC616×211	205
EDH616×211	EFS616×211	ETS616×211	161	EDV616×211	145	ETC616×211	205
EDH616×211	EFS616×211	ETS616×211	161	EDV616×211	145	ETC616×211	205
EDH616×211	EFS616×211	ETS616×211	161	EDV616×211	145	ETC616×211	205
EDH516	EFS516	ETS516	134	EDV516	120	ETC516	205

11.3 Split plummer block housings SES, accessories, bearings with tapered bore and adapter sleeve

For metric or inch size shaft



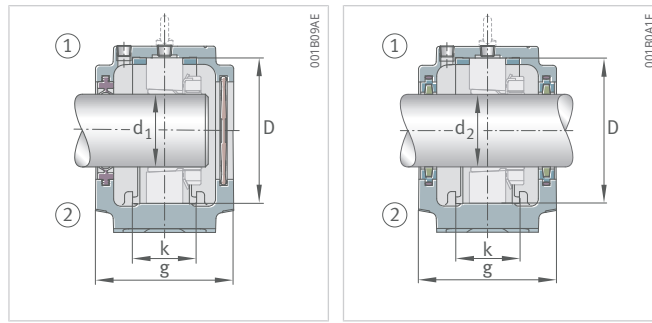
Double lip seal EDH, cover

Felt seal EFS

Housing	d ₁		Bearing	Adapter sleeve	Locating ring	Cover
	mm	inch				
SES516-613-L	69,85	2,75	20216-K	H216×212	FRM140/16	EDK516-613
SES516-613-L	69,85	2,75	2216-K	H316×212	FRM140/12,5	EDK516-613
SES516-613-L	69,85	2,75	22216..-K	H316×212	FRM140/12,5	EDK516-613
SES519-616-L	69,85	2,75	1316-K	H316×212	FRM170/14,5	EDK519-616
SES519-616-L	69,85	2,75	20316-K	H316×212	FRM170/14,5	EDK519-616
SES519-616-L	69,85	2,75	21316..-K	H316×212	FRM170/14,5	EDK519-616
SES519-616-L	69,85	2,75	22316..-K	H2316×212	FRM170/5	EDK519-616
SES519-616-L	69,85	2,75	2316-K	H2316×212	FRM170/5	EDK519-616
SES516-613-L	70	-	1216-K	H216	FRM140/16	EDK516-613
SES516-613-L	70	-	20216..-K	H216	FRM140/16	EDK516-613
SES516-613-L	70	-	2216-K	H316	FRM140/12,5	EDK516-613
SES516-613-L	70	-	22216..-K	H316	FRM140/12,5	EDK516-613
SES516-613-L	70	-	222SM70-TVPA	-	FRM140/12,5	EDK516-613
SES519-616-L	70	-	1316-K	H316	FRM170/14,5	EDK519-616
SES519-616-L	70	-	20316-K	H316	FRM170/14,5	EDK519-616
SES519-616-L	70	-	21316..-K	H316	FRM170/14,5	EDK519-616
SES519-616-L	70	-	22316..-K	H2316	FRM170/5	EDK519-616
SES519-616-L	70	-	2316-K	H2316	FRM170/5	EDK519-616
SES519-616-L	73,025	2,875	1316-K	H316×214	FRM170/14,5	EDK519-616
SES519-616-L	73,025	2,875	20316-K	H316×214	FRM170/14,5	EDK519-616
SES519-616-L	73,025	2,875	21316..-K	H316×214	FRM170/14,5	EDK519-616
SES519-616-L	73,025	2,875	22316..-K	H2316×214	FRM170/5	EDK519-616
SES519-616-L	73,025	2,875	2316-K	H2316×214	FRM170/5	EDK519-616
SES517-L	74,613	2,9375	1217-K	H217×215	FRM150/16,5	EDK517
SES517-L	74,613	2,9375	20217-K	H217×215	FRM150/16,5	EDK517
SES517-L	74,613	2,9375	2217-K	H317×215	FRM150/12,5	EDK517
SES517-L	74,613	2,9375	22217..-K	H317×215	FRM150/12,5	EDK517
SES517-L	74,613	2,9375	222S.215	-	FRM150/12,5	EDK517
SES520-617-L	74,613	2,9375	1317-K	H317×215	FRM180/14,5	EDK520-617
SES520-617-L	74,613	2,9375	20317-K	H2317×215	FRM180/5	EDK520-617
SES520-617-L	74,613	2,9375	20317-K	H317×215	FRM180/14,5	EDK520-617
SES520-617-L	74,613	2,9375	21317..-K	H317×215	FRM180/14,5	EDK520-617
SES520-617-L	74,613	2,9375	22317..-K	H2317×215	FRM180/5	EDK520-617
SES520-617-L	74,613	2,9375	2317-K	H2317×215	FRM180/5	EDK520-617
SES517-L	75	-	1217-K	H217	FRM150/16,5	EDK517
SES517-L	75	-	20217-K	H217	FRM150/16,5	EDK517
SES517-L	75	-	2217-K	H317	FRM150/12,5	EDK517
SES517-L	75	-	22217..-K	H317	FRM150/12,5	EDK517
SES517-L	75	-	222SM75-TVPA	-	FRM150/12,5	EDK517
SES520-617-L	75	-	1317-K	H317	FRM180/14,5	EDK520-617

11.3 Split plummer block housings SES, accessories, bearings with tapered bore and adapter sleeve

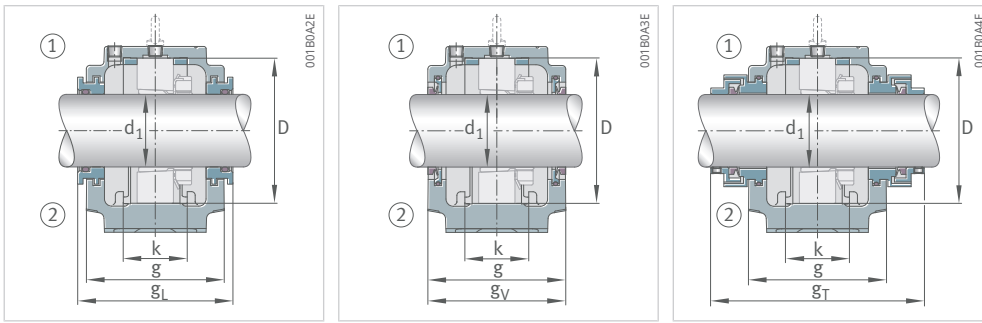
For metric or inch size shaft



Double lip seal EDH, cover

Felt seal EFS

Housing	d ₁		Bearing	Adapter sleeve	Locating ring	Cover
	mm	inch				
SES520-617-L	75	-	21317..-K	H317	FRM180/14,5	EDK520-617
SES520-617-L	75	-	22317..-K	H2317	FRM180/5	EDK520-617
SES520-617-L	75	-	2317-K	H2317	FRM180/5	EDK520-617
SES517-L	76,2	3	1217-K	H217×300	FRM150/16,5	EDK517
SES517-L	76,2	3	20217-K	H217×300	FRM150/16,5	EDK517
SES517-L	76,2	3	2217-K	H317×300	FRM150/12,5	EDK517
SES517-L	76,2	3	22217..-K	H317×300	FRM150/12,5	EDK517
SES517-L	76,2	3	222S.300	-	FRM150/12,5	EDK517
SES520-617-L	76,2	3	1317-K	H317×300	FRM180/14,5	EDK520-617
SES520-617-L	76,2	3	20317-K	H317×300	FRM180/14,5	EDK520-617
SES520-617-L	76,2	3	21317..-K	H317×300	FRM180/14,5	EDK520-617
SES520-617-L	76,2	3	22317..-K	H2317×300	FRM180/5	EDK520-617
SES520-617-L	76,2	3	2317-K	H2317×300	FRM180/5	EDK520-617
SES518-615-L	79,375	3,125	1218-K	H218×302	FRM160/17,5	EDK518-615
SES518-615-L	79,375	3,125	20218-K	H218×302	FRM160/17,5	EDK518-615
SES518-615-L	79,375	3,125	2218-K	H318×302	FRM160/12,5	EDK518-615
SES518-615-L	79,375	3,125	22218..-K	H318×302	FRM160/12,5	EDK518-615
SES518-615-L	79,375	3,125	23218..-K	H2318×302	FRM160/6,25	EDK518-615
SES618-318-L	79,375	3,125	1318-K	H318×302	FRM190/15,5	EDK218
SES618-318-L	79,375	3,125	20318-K	H318×302	FRM190/15,5	EDK218
SES618-318-L	79,375	3,125	21318..-K	H318×302	FRM190/15,5	EDK218
SES618-318-L	79,375	3,125	22318..-K	H2318×302	FRM190/5	EDK218
SES618-318-L	79,375	3,125	2318-K	H2318×302	FRM190/5	EDK218
SES518-615-L	80	-	1218-K	H218	FRM160/17,5	EDK518-615
SES518-615-L	80	-	20218-K	H218	FRM160/17,5	EDK518-615
SES518-615-L	80	-	2218-K	H318	FRM160/12,5	EDK518-615
SES518-615-L	80	-	22218..-K	H318	FRM160/12,5	EDK518-615
SES518-615-L	80	-	222SM80-TVPA	-	FRM160/12,5	EDK518-615
SES518-615-L	80	-	23218..-K	H2318	FRM160/6,25	EDK518-615
SES618-318-L	80	-	1318-K	H318	FRM190/15,5	EDK218
SES618-318-L	80	-	20318-K	H318	FRM190/15,5	EDK218
SES618-318-L	80	-	21318..-K	H318	FRM190/15,5	EDK218
SES618-318-L	80	-	22318..-K	H2318	FRM190/5	EDK218
SES618-318-L	80	-	2318-K	H2318	FRM190/5	EDK218
SES518-615-L	80,963	3,1875	1218-K	H218×303	FRM160/17,5	EDK518-615
SES518-615-L	80,963	3,1875	20218-K	H218×303	FRM160/17,5	EDK518-615
SES518-615-L	80,963	3,1875	2218-K	H318×303	FRM160/12,5	EDK518-615
SES518-615-L	80,963	3,1875	22218..-K	H318×303	FRM160/12,5	EDK518-615
SES518-615-L	80,963	3,1875	222S.303	-	FRM160/12,5	EDK518-615
SES518-615-L	80,963	3,1875	23218..-K	H2318×303	FRM160/6,25	EDK518-615



Labyrinth seal ETS

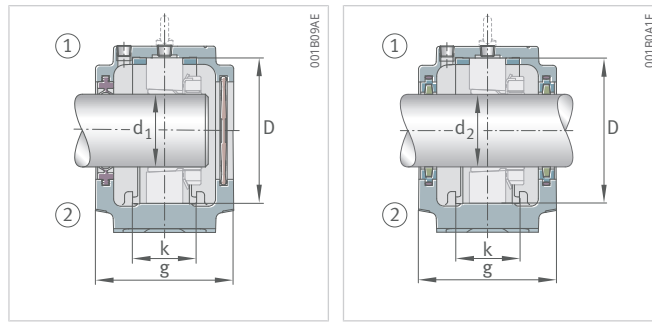
V ring seal EDV

Taconite seal ETC

Double lip seal	Felt seal	Labyrinth seal	g_L	V ring seal	g_V	Taconite seal	g_T
			mm		mm		mm
EDH617	EFS617	ETS617	176	EDV617	160	ETC617	220
EDH617	EFS617	ETS617	176	EDV617	160	ETC617	220
EDH617	EFS617	ETS617	176	EDV617	160	ETC617	220
EDH517	EFS517×300	ETS517×300	139	EDV517×300	125	ETC517×300	210
EDH517	EFS517×300	ETS517×300	139	EDV517×300	125	ETC517×300	210
EDH517	EFS517×300	ETS517×300	139	EDV517×300	125	ETC517×300	210
EDH517	EFS517×300	ETS517×300	139	EDV517×300	125	ETC517×300	210
EDH517	EFS517×300	ETS517×300	139	EDV517×300	125	ETC517×300	210
EDH617	EFS617×300	ETS617×300	176	EDV617×300	160	ETC617×300	220
EDH617	EFS617×300	ETS617×300	176	EDV617×300	160	ETC617×300	220
EDH617	EFS617×300	ETS617×300	176	EDV617×300	160	ETC617×300	220
EDH617	EFS617×300	ETS617×300	176	EDV617×300	160	ETC617×300	220
EDH617	EFS617×300	ETS617×300	176	EDV617×300	160	ETC617×300	220
EDH518	EFS518	-	-	EDV518	140	-	-
EDH518	EFS518	-	-	EDV518	140	-	-
EDH518	EFS518	-	-	EDV518	140	-	-
EDH518	EFS518	-	-	EDV518	140	-	-
EDH518	EFS518	-	-	EDV518	140	-	-
EDH618	EFS618	ETS618×302	170,3	EDV618	163	ETC618×302	196
EDH618	EFS618	ETS618×302	170,3	EDV618	163	ETC618×302	196
EDH618	EFS618	ETS618×302	170,3	EDV618	163	ETC618×302	196
EDH618	EFS618	ETS618×302	170,3	EDV618	163	ETC618×302	196
EDH618	EFS618	ETS618×302	170,3	EDV618	163	ETC618×302	196
EDH518	EFS518	ETS518	154	EDV518	140	ETC518	225
EDH518	EFS518	ETS518	154	EDV518	140	ETC518	225
EDH518	EFS518	ETS518	154	EDV518	140	ETC518	225
EDH518	EFS518	ETS518	154	EDV518	140	ETC518	225
EDH518	EFS518	ETS518	154	EDV518	140	ETC518	225
EDH618	EFS618	ETS618	170,3	EDV618	162,5	ETC618	178
EDH618	EFS618	ETS618	170,3	EDV618	162,5	ETC618	178
EDH618	EFS618	ETS618	170,3	EDV618	162,5	ETC618	178
EDH618	EFS618	ETS618	170,3	EDV618	162,5	ETC618	178
EDH618	EFS618	ETS618	170,3	EDV618	162,5	ETC618	178
EDH518	EFS518×303	ETS518×303	154	EDV518×303	140	ETC518×303	225
EDH518	EFS518×303	ETS518×303	154	EDV518×303	140	ETC518×303	225
EDH518	EFS518×303	ETS518×303	154	EDV518×303	140	ETC518×303	225
EDH518	EFS518×303	ETS518×303	154	EDV518×303	140	ETC518×303	225
EDH518	EFS518×303	ETS518×303	154	EDV518×303	140	ETC518×303	225
EDH518	EFS518×303	ETS518×303	154	EDV518×303	140	ETC518×303	225

11.3 Split plummer block housings SES, accessories, bearings with tapered bore and adapter sleeve

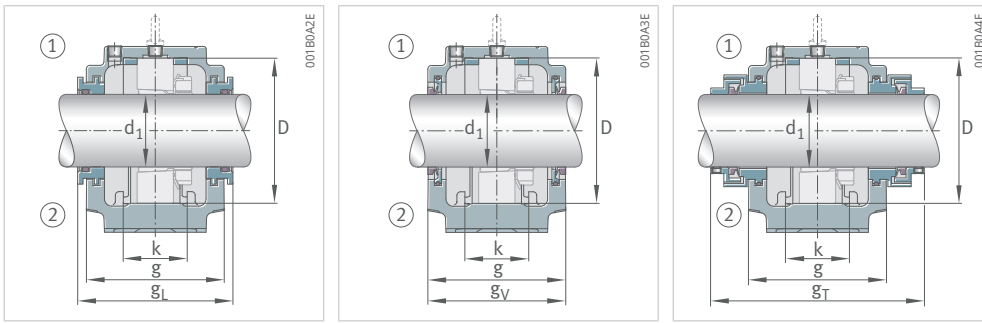
For metric or inch size shaft



Double lip seal EDH, cover

Felt seal EFS

Housing	d ₁		Bearing	Adapter sleeve	Locating ring	Cover
	mm	inch				
SES618-318-L	80,963	3,1875	1318-K	H318×303	FRM190/15,5	EDK218
SES618-318-L	80,963	3,1875	20318-K	H318×303	FRM190/15,5	EDK218
SES618-318-L	80,963	3,1875	21318.-K	H318×303	FRM190/15,5	EDK218
SES618-318-L	80,963	3,1875	22318.-K	H2318×303	FRM190/5	EDK218
SES618-318-L	80,963	3,1875	2318-K	H2318×303	FRM190/5	EDK218
SES518-615-L	82,55	3,25	1218-K	H218×304	FRM160/17,5	EDK518-615
SES518-615-L	82,55	3,25	20218-K	H218×304	FRM160/17,5	EDK518-615
SES518-615-L	82,55	3,25	2218-K	H318×304	FRM160/12,5	EDK518-615
SES518-615-L	82,55	3,25	22218.-K	H318×304	FRM160/12,5	EDK518-615
SES518-615-L	82,55	3,25	2225.304	-	FRM160/12,5	EDK518-615
SES518-615-L	82,55	3,25	23218.-K	H2318×304	FRM160/6,25	EDK518-615
SES522-619-L	82,55	3,25	1319-K	H319×304	FRM200/17,5	EDK522-619
SES522-619-L	82,55	3,25	20319-K	H319×304	FRM200/17,5	EDK522-619
SES522-619-L	82,55	3,25	21319.-K	H319×304	FRM200/17,5	EDK522-619
SES522-619-L	82,55	3,25	22319.-K	H2319×304	FRM200/6,5	EDK522-619
SES522-619-L	82,55	3,25	2319-K	H2319×304	FRM200/6,5	EDK522-619
SES618-318-L	82,55	3,25	1318-K	H318×304	FRM190/15,5	EDK218
SES618-318-L	82,55	3,25	20318-K	H318×304	FRM190/15,5	EDK218
SES618-318-L	82,55	3,25	21318.-K	H318×304	FRM190/15,5	EDK218
SES618-318-L	82,55	3,25	22318.-K	H2318×304	FRM190/5	EDK218
SES618-318-L	82,55	3,25	2318-K	H2318×304	FRM190/5	EDK218
SES519-616-L	85	-	1219-K	H219	FRM170/18	EDK519-616
SES519-616-L	85	-	20219-K	H219	FRM170/18	EDK519-616
SES519-616-L	85	-	2219-K	H319	FRM170/12,5	EDK519-616
SES519-616-L	85	-	22219.-K	H319	FRM170/12,5	EDK519-616
SES519-616-L	85	-	2225M85-TVPA	-	FRM170/12,5	EDK519-616
SES522-619-L	85	-	1319-K	H319	FRM200/17,5	EDK522-619
SES522-619-L	85	-	20319-K	H319	FRM200/17,5	EDK522-619
SES522-619-L	85	-	21319.-K	H319	FRM200/17,5	EDK522-619
SES522-619-L	85	-	22319.-K	H2319	FRM200/6,5	EDK522-619
SES522-619-L	85	-	2319-K	H2319	FRM200/6,5	EDK522-619
SES519-616-L	85,725	3,375	1219-K	H219×306	FRM170/18	EDK519-616
SES519-616-L	85,725	3,375	20219-K	H219×306	FRM170/18	EDK519-616
SES519-616-L	85,725	3,375	2219-K	H319×306	FRM170/12,5	EDK519-616
SES519-616-L	85,725	3,375	22219.-K	H319×306	FRM170/12,5	EDK519-616
SES522-619-L	85,725	3,375	1319-K	H319×306	FRM200/17,5	EDK522-619
SES522-619-L	85,725	3,375	20319-K	H319×306	FRM200/17,5	EDK522-619
SES522-619-L	85,725	3,375	21319.-K	H319×306	FRM200/17,5	EDK522-619
SES522-619-L	85,725	3,375	22319.-K	H2319×306	FRM200/6,5	EDK522-619
SES522-619-L	85,725	3,375	2319-K	H2319×306	FRM200/6,5	EDK522-619



Labyrinth seal ETS

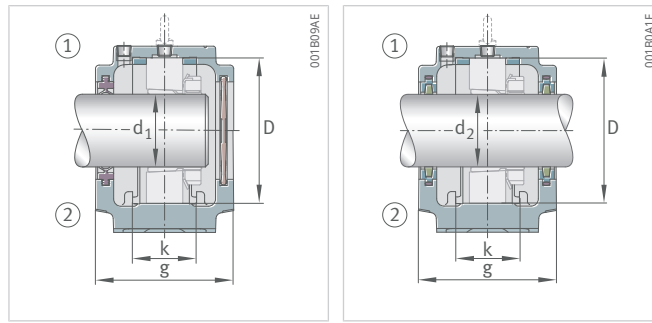
V ring seal EDV

Taconite seal ETC

Double lip seal	Felt seal	Labyrinth seal	g_L	V ring seal	g_V	Taconite seal	g_T
			mm		mm		mm
EDH618	EFS618×303	ETS618×303	170,3	EDV618×303	163	ETC618×303	196
EDH618	EFS618×303	ETS618×303	170,3	EDV618×303	163	ETC618×303	196
EDH618	EFS618×303	ETS618×303	170,3	EDV618×303	163	ETC618×303	196
EDH618	EFS618×303	ETS618×303	170,3	EDV618×303	163	ETC618×303	196
EDH618	EFS618×303	ETS618×303	170,3	EDV618×303	163	ETC618×303	196
-	EFS518×304	ETS518×304	154	EDV518×304	140	ETC518×304	225
-	EFS518×304	ETS518×304	154	EDV518×304	140	ETC518×304	225
-	EFS518×304	ETS518×304	154	EDV518×304	140	ETC518×304	225
-	EFS518×304	ETS518×304	154	EDV518×304	140	ETC518×304	225
-	EFS518×304	ETS518×304	154	EDV518×304	140	ETC518×304	225
-	EFS518×304	ETS518×304	154	EDV518×304	140	ETC518×304	225
-	EFS619×304	ETS619×304	191	EDV619×304	175	ETC619×304	235
-	EFS619×304	ETS619×304	191	EDV619×304	175	ETC619×304	235
-	EFS619×304	ETS619×304	191	EDV619×304	175	ETC619×304	235
-	EFS619×304	ETS619×304	191	EDV619×304	175	ETC619×304	235
-	EFS619×304	ETS619×304	191	EDV619×304	175	ETC619×304	235
EDH618×304	EFS618×304	ETS618×304	170,3	EDV618×304	163	ETC618×304	196
EDH618×304	EFS618×304	ETS618×304	170,3	EDV618×304	163	ETC618×304	196
EDH618×304	EFS618×304	ETS618×304	170,3	EDV618×304	163	ETC618×304	196
EDH618×304	EFS618×304	ETS618×304	170,3	EDV618×304	163	ETC618×304	196
EDH618×304	EFS618×304	ETS618×304	170,3	EDV618×304	163	ETC618×304	196
EDH519	EFS519	ETS519	161	EDV519	145	ETC519	220
EDH519	EFS519	ETS519	161	EDV519	145	ETC519	220
EDH519	EFS519	ETS519	161	EDV519	145	ETC519	220
EDH519	EFS519	ETS519	161	EDV519	145	ETC519	220
EDH519	EFS519	ETS519	161	EDV519	145	ETC519	220
EDH619	EFS619	ETS619	191	EDV619	175	ETC619	235
EDH619	EFS619	ETS619	191	EDV619	175	ETC619	235
EDH619	EFS619	ETS619	191	EDV619	175	ETC619	235
EDH619	EFS619	ETS619	191	EDV619	175	ETC619	235
EDH619	EFS619	ETS619	191	EDV619	175	ETC619	235
EDH519	EFS519	ETS519×306	161	EDV519	145	ETC519×306	220
EDH519	EFS519	ETS519×306	161	EDV519	145	ETC519×306	220
EDH519	EFS519	ETS519×306	161	EDV519	145	ETC519×306	220
EDH519	EFS519	ETS519×306	161	EDV519	145	ETC519×306	220
EDH619	EFS619	ETS619×306	191	EDV619	175	ETC619×306	235
EDH619	EFS619	ETS619×306	191	EDV619	175	ETC619×306	235
EDH619	EFS619	ETS619×306	191	EDV619	175	ETC619×306	235
EDH619	EFS619	ETS619×306	191	EDV619	175	ETC619×306	235
EDH619	EFS619	ETS619×306	191	EDV619	175	ETC619×306	235

11.3 Split plummer block housings SES, accessories, bearings with tapered bore and adapter sleeve

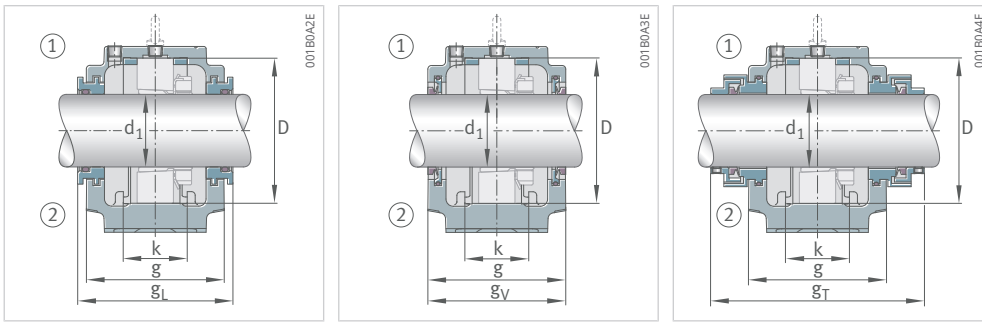
For metric or inch size shaft



Double lip seal EDH, cover

Felt seal EFS

Housing	d ₁		Bearing	Adapter sleeve	Locating ring	Cover
	mm	inch				
SES520-617-L	87,313	3,4375	1220-K	H220×307	FRM180/18	EDK520-617
SES520-617-L	87,313	3,4375	20220-K	H220×307	FRM180/18	EDK520-617
SES520-617-L	87,313	3,4375	2220-K	H320×307	FRM180/12	EDK520-617
SES520-617-L	87,313	3,4375	22220..-K	H320×307	FRM180/12	EDK520-617
SES520-617-L	87,313	3,4375	222S.307	-	FRM180/18	EDK520-617
SES520-617-L	87,313	3,4375	23220..-K	H2320×307	FRM180/4,85	EDK520-617
SES524-620-L	87,313	3,4375	1320-K	H320×307	FRM215/19,5	EDK524-620
SES524-620-L	87,313	3,4375	20320-K	H320×307	FRM215/19,5	EDK524-620
SES524-620-L	87,313	3,4375	21320..-K	H320×307	FRM215/19,5	EDK524-620
SES524-620-L	87,313	3,4375	22320..-K	H2320×307	FRM215/6,5	EDK524-620
SES524-620-L	87,313	3,4375	2320-K	H2320×307	FRM215/6,5	EDK524-620
SES520-617-L	88,9	3,5	1220-K	H220×308	FRM180/18	EDK520-617
SES520-617-L	88,9	3,5	20220-K	H220×308	FRM180/18	EDK520-617
SES520-617-L	88,9	3,5	2220-K	H320×308	FRM180/12	EDK520-617
SES520-617-L	88,9	3,5	22220..-K	H320×308	FRM180/12	EDK520-617
SES520-617-L	88,9	3,5	222S.308	-	FRM180/12	EDK520-617
SES520-617-L	88,9	3,5	23220..-K	H2320×308	FRM180/4,85	EDK520-617
SES524-620-L	88,9	3,5	1320-K	H320×308	FRM215/19,5	EDK524-620
SES524-620-L	88,9	3,5	20320-K	H320×308	FRM215/19,5	EDK524-620
SES524-620-L	88,9	3,5	21320..-K	H320×308	FRM215/19,5	EDK524-620
SES524-620-L	88,9	3,5	22320..-K	H2320×308	FRM215/6,5	EDK524-620
SES524-620-L	88,9	3,5	2320-K	H2320×308	FRM215/6,5	EDK524-620
SES520-617-L	90	-	1220-K	H220	FRM180/18	EDK520-617
SES520-617-L	90	-	20220-K	H220	FRM180/18	EDK520-617
SES520-617-L	90	-	2220-K	H320	FRM180/12	EDK520-617
SES520-617-L	90	-	22220..-K	H320	FRM180/12	EDK520-617
SES520-617-L	90	-	222SM90-TVPA	-	FRM180/12	EDK520-617
SES520-617-L	90	-	23220..-K	H2320	FRM180/4,85	EDK520-617
SES524-620-L	90	-	1320-K	H320	FRM215/19,5	EDK524-620
SES524-620-L	90	-	20320-K	H320	FRM215/19,5	EDK524-620
SES524-620-L	90	-	21320..-K	H320	FRM215/19,5	EDK524-620
SES524-620-L	90	-	22320..-K	H2320	FRM215/6,5	EDK524-620
SES524-620-L	90	-	2320-K	H2320	FRM215/6,5	EDK524-620
SES520-617-L	92,075	3,625	1220-K	H220×310	FRM180/18	EDK520-617
SES520-617-L	92,075	3,625	20220-K	H220×310	FRM180/18	EDK520-617
SES520-617-L	92,075	3,625	2220-K	H320×310	FRM180/12	EDK520-617
SES520-617-L	92,075	3,625	22220..-K	H320×310	FRM180/12	EDK520-617
SES520-617-L	92,075	3,625	23220..-K	H2320×310	FRM180/4,85	EDK520-617
SES524-620-L	92,075	3,625	1320-K	H320×310	FRM215/19,5	EDK524-620
SES524-620-L	92,075	3,625	20320-K	H320×310	FRM215/19,5	EDK524-620



Labyrinth seal ETS

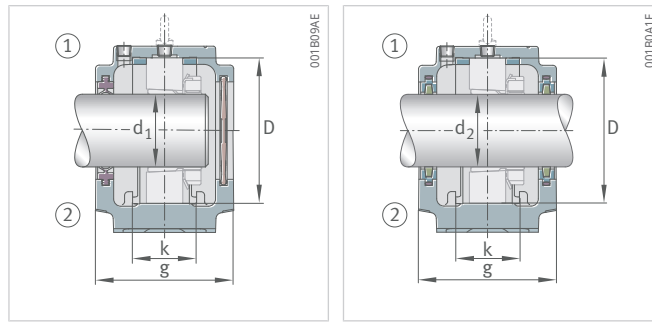
V ring seal EDV

Taconite seal ETC

Double lip seal	Felt seal	Labyrinth seal	g_L	V ring seal	g_V	Taconite seal	g_T
			mm		mm		mm
EDH520×307	EFS520×307	ETS520×307	176	EDV520×307	160	ETC520×307	230
EDH520×307	EFS520×307	ETS520×307	176	EDV520×307	160	ETC520×307	230
EDH520×307	EFS520×307	ETS520×307	176	EDV520×307	160	ETC520×307	230
EDH520×307	EFS520×307	ETS520×307	176	EDV520×307	160	ETC520×307	230
EDH520×307	EFS520×307	ETS520×307	176	EDV520×307	160	ETC520×307	230
EDH520×307	EFS520×307	ETS520×307	176	EDV520×307	160	ETC520×307	230
EDH620×307	EFS620×307	ETS620×307	199	EDV620×307	185	ETC620×307	240
EDH620×307	EFS620×307	ETS620×307	199	EDV620×307	185	ETC620×307	240
EDH620×307	EFS620×307	ETS620×307	199	EDV620×307	185	ETC620×307	240
EDH620×307	EFS620×307	ETS620×307	199	EDV620×307	185	ETC620×307	240
EDH620×307	EFS620×307	ETS620×307	199	EDV620×307	185	ETC620×307	240
EDH520	EFS520×308	ETS520×308	176	EDV520	160	ETC520×308	230
EDH520	EFS520×308	ETS520×308	176	EDV520	160	ETC520×308	230
EDH520	EFS520×308	ETS520×308	176	EDV520	160	ETC520×308	230
EDH520	EFS520×308	ETS520×308	176	EDV520	160	ETC520×308	230
EDH520	EFS520×308	ETS520×308	176	EDV520	160	ETC520×308	230
EDH520	EFS520×308	ETS520×308	176	EDV520	160	ETC520×308	230
EDH620	EFS620×308	ETS620×308	199	EDV620	185	ETC620×308	240
EDH620	EFS620×308	ETS620×308	199	EDV620	185	ETC620×308	240
EDH620	EFS620×308	ETS620×308	199	EDV620	185	ETC620×308	240
EDH620	EFS620×308	ETS620×308	199	EDV620	185	ETC620×308	240
EDH620	EFS620×308	ETS620×308	199	EDV620	185	ETC620×308	240
EDH520	EFS520	ETS520	176	EDV520	160	ETC520	230
EDH520	EFS520	ETS520	176	EDV520	160	ETC520	230
EDH520	EFS520	ETS520	176	EDV520	160	ETC520	230
EDH520	EFS520	ETS520	176	EDV520	160	ETC520	230
EDH520	EFS520	ETS520	176	EDV520	160	ETC520	230
EDH520	EFS520	ETS520	176	EDV520	160	ETC520	230
EDH620	EFS620	ETS620	199	EDV620	185	ETC620	240
EDH620	EFS620	ETS620	199	EDV620	185	ETC620	240
EDH620	EFS620	ETS620	199	EDV620	185	ETC620	240
EDH620	EFS620	ETS620	199	EDV620	185	ETC620	240
EDH520×310	EFS520×310	ETS520×310	176	EDV520×310	160	ETC520×310	230
EDH520×310	EFS520×310	ETS520×310	176	EDV520×310	160	ETC520×310	230
EDH520×310	EFS520×310	ETS520×310	176	EDV520×310	160	ETC520×310	230
EDH520×310	EFS520×310	ETS520×310	176	EDV520×310	160	ETC520×310	230
EDH520×310	EFS520×310	ETS520×310	176	EDV520×310	160	ETC520×310	230
EDH620×310	EFS620×310	ETS620×310	199	EDV620×310	185	ETC620×310	240
EDH620×310	EFS620×310	ETS620×310	199	EDV620×310	185	ETC620×310	240

11.3 Split plummer block housings SES, accessories, bearings with tapered bore and adapter sleeve

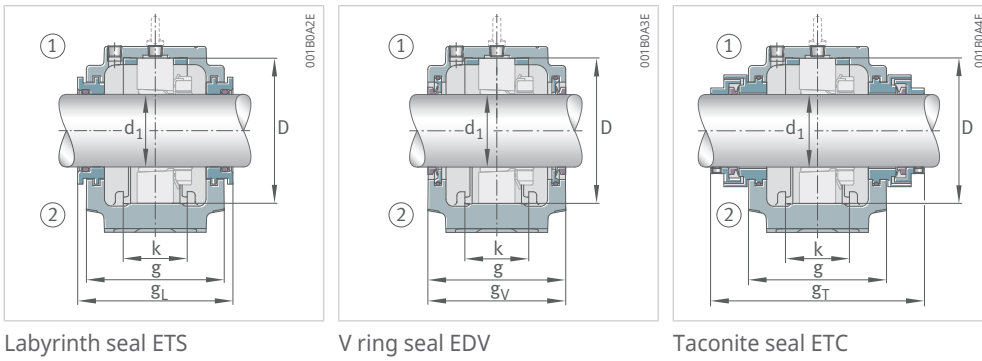
For metric or inch size shaft



Double lip seal EDH, cover

Felt seal EFS

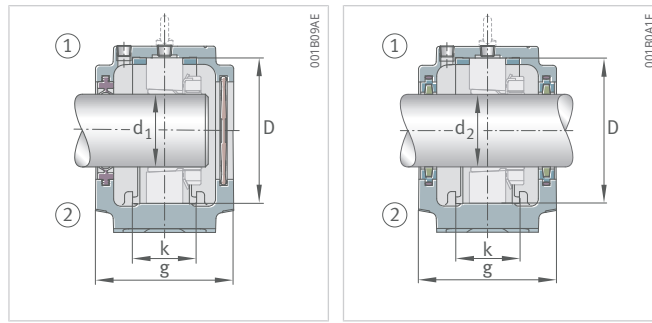
Housing	d ₁		Bearing	Adapter sleeve	Locating ring	Cover
	mm	inch				
SES524-620-L	92,075	3,625	21320..-K	H320×310	FRM215/19,5	EDK524-620
SES524-620-L	92,075	3,625	22320..-K	H2320×310	FRM215/6,5	EDK524-620
SES524-620-L	92,075	3,625	2320-K	H2320×310	FRM215/6,5	EDK524-620
SES520-617-L	93,663	3,6875	1220-K	H220×311	FRM180/18	EDK520-617
SES520-617-L	93,663	3,6875	20220-K	H220×311	FRM180/18	EDK520-617
SES520-617-L	93,663	3,6875	2220-K	H320×311	FRM180/12	EDK520-617
SES520-617-L	93,663	3,6875	22220..-K	H320×311	FRM180/12	EDK520-617
SES520-617-L	93,663	3,6875	23220..-K	H2320×311	FRM180/4,85	EDK520-617
SES524-620-L	93,663	3,6875	1320-K	H320×311	FRM215/19,5	EDK524-620
SES524-620-L	93,663	3,6875	20320-K	H320×311	FRM215/19,5	EDK524-620
SES524-620-L	93,663	3,6875	21320..-K	H320×311	FRM215/19,5	EDK524-620
SES524-620-L	93,663	3,6875	22320..-K	H2320×311	FRM215/6,5	EDK524-620
SES524-620-L	93,663	3,6875	2320-K	H2320×311	FRM215/6,5	EDK524-620
SES522-619-L	95,25	3,75	1222-K	H222×312	FRM200/21	EDK522-619
SES522-619-L	95,25	3,75	20222-K	H222×312	FRM200/21	EDK522-619
SES522-619-L	95,25	3,75	22222-K	H322×312	FRM200/13,5	EDK522-619
SES522-619-L	95,25	3,75	23222-K	H2322×312	FRM200/5,1	EDK522-619
SES622-322-L	95,25	3,75	1322-K	H322×312	FRM240/20	EDK522-619
SES622-322-L	95,25	3,75	21322..-K	H322×312	FRM240/20	EDK522-619
SES622-322-L	95,25	3,75	22322..-K	H2322×312	FRM240/5	EDK522-619
SES622-322-L	95,25	3,75	2322-K	H2322×312	FRM240/5	EDK522-619
SES522-619-L	98,425	3,875	1222-K	H222×314	FRM200/21	EDK522-619
SES522-619-L	98,425	3,875	20222-K	H222×314	FRM200/21	EDK522-619
SES522-619-L	98,425	3,875	22222-K	H322×314	FRM200/13,5	EDK522-619
SES522-619-L	98,425	3,875	23222-K	H2322×314	FRM200/5,1	EDK522-619
SES622-322-L	98,425	3,875	1322-K	H322×314	FRM240/20	EDK522-619
SES622-322-L	98,425	3,875	21322..-K	H322×314	FRM240/20	EDK522-619
SES622-322-L	98,425	3,875	22322..-K	H2322×314	FRM240/5	EDK522-619
SES622-322-L	98,425	3,875	2322-K	H2322×314	FRM240/5	EDK522-619
SES522-619-L	100	-	1222-K	H222	FRM200/21	EDK522-619
SES522-619-L	100	-	20222-K	H222	FRM200/21	EDK522-619
SES522-619-L	100	-	2222-K	H322	FRM200/13,5	EDK522-619
SES522-619-L	100	-	22222..-K	H322	FRM200/13,5	EDK522-619
SES522-619-L	100	-	222SM100-TVPA	-	FRM200/13,5	EDK522-619
SES522-619-L	100	-	23222..-K	H2322	FRM200/5,1	EDK522-619
SES622-322-L	100	-	1322-K	H322	FRM240/20	EDK522-619
SES622-322-L	100	-	21322..-K	H322	FRM240/20	EDK522-619
SES622-322-L	100	-	22322..-K	H2322	FRM240/5	EDK522-619
SES622-322-L	100	-	2322-K	H2322	FRM240/5	EDK522-619
SES522-619-L	100,013	3,9375	1222-K	H222×315	FRM200/21	EDK522-619



Double lip seal	Felt seal	Labyrinth seal	g_L	V ring seal	g_V	Taconite seal	g_T
			mm		mm		mm
EDH620×310	EFS620×310	ETS620×310	199	EDV620×310	185	ETC620×310	240
EDH620×310	EFS620×310	ETS620×310	199	EDV620×310	185	ETC620×310	240
EDH620×310	EFS620×310	ETS620×310	199	EDV620×310	185	ETC620×310	240
EDH520×310	EFS520×311	ETS520×311	176	EDV520×311	160	ETC520×311	230
EDH520×310	EFS520×311	ETS520×311	176	EDV520×311	160	ETC520×311	230
EDH520×310	EFS520×311	ETS520×311	176	EDV520×311	160	ETC520×311	230
EDH520×310	EFS520×311	ETS520×311	176	EDV520×311	160	ETC520×311	230
EDH620×310	EFS620×311	ETS620×311	199	EDV620×311	185	ETC620×311	240
EDH620×310	EFS620×311	ETS620×311	199	EDV620×311	185	ETC620×311	240
EDH620×310	EFS620×311	ETS620×311	199	EDV620×311	185	ETC620×311	240
EDH620×310	EFS620×311	ETS620×311	199	EDV620×311	185	ETC620×311	240
EDH620×310	EFS620×311	ETS620×311	199	EDV620×311	185	ETC620×311	240
EDH522×312	EFS522×312	ETS522×312	191	EDV522×312	175	ETC522×312	250
EDH522×312	EFS522×312	ETS522×312	191	EDV522×312	175	ETC522×312	250
EDH522×312	EFS522×312	ETS522×312	191	EDV522×312	175	ETC522×312	250
EDH522×312	EFS522×312	ETS522×312	191	EDV522×312	175	ETC522×312	250
EDH522×312	EFS522×312	ETS522×312	196,5	EDV522×312	180,5	ETC522×312	255,5
EDH522×312	EFS522×312	ETS522×312	196,5	EDV522×312	180,5	ETC522×312	255,5
EDH522×312	EFS522×312	ETS522×312	196,5	EDV522×312	180,5	ETC522×312	255,5
EDH522×312	EFS522×312	ETS522×312	196,5	EDV522×312	180,5	ETC522×312	255,5
EDH522×314	EFS522×314	ETS522×314	191	EDV522×314	175	ETC522×314	250
EDH522×314	EFS522×314	ETS522×314	191	EDV522×314	175	ETC522×314	250
EDH522×314	EFS522×314	ETS522×314	191	EDV522×314	175	ETC522×314	250
EDH522×314	EFS522×314	ETS522×314	191	EDV522×314	175	ETC522×314	250
EDH522×314	EFS522×314	ETS522×314	196,5	EDV522×314	180,5	ETC522×314	255,5
EDH522×314	EFS522×314	ETS522×314	196,5	EDV522×314	180,5	ETC522×314	255,5
EDH522×314	EFS522×314	ETS522×314	196,5	EDV522×314	180,5	ETC522×314	255,5
EDH522×314	EFS522×314	ETS522×314	196,5	EDV522×314	180,5	ETC522×314	255,5
EDH522-622	EFS522-622	ETS522-622	191	EDV522-622	175	ETC522-622	250
EDH522-622	EFS522-622	ETS522-622	191	EDV522-622	175	ETC522-622	250
EDH522-622	EFS522-622	ETS522-622	191	EDV522-622	175	ETC522-622	250
EDH522-622	EFS522-622	ETS522-622	191	EDV522-622	175	ETC522-622	250
EDH522-622	EFS522-622	ETS522-622	191	EDV522-622	175	ETC522-622	250
EDH522-622	EFS522-622	ETS522-622	191	EDV522-622	175	ETC522-622	250
EDH522-622	EFS522-622	ETS522-622	196,5	EDV522-622	180,5	ETC522-622	255,5
EDH522-622	EFS522-622	ETS522-622	196,5	EDV522-622	180,5	ETC522-622	255,5
EDH522-622	EFS522-622	ETS522-622	196,5	EDV522-622	180,5	ETC522-622	255,5
EDH522-622	EFS522-622	ETS522-622	196,5	EDV522-622	180,5	ETC522-622	255,5
EDH522-622	EFS522-622	ETS522-622	191	EDV522-622	175	ETC522-622	250

11.3 Split plummer block housings SES, accessories, bearings with tapered bore and adapter sleeve

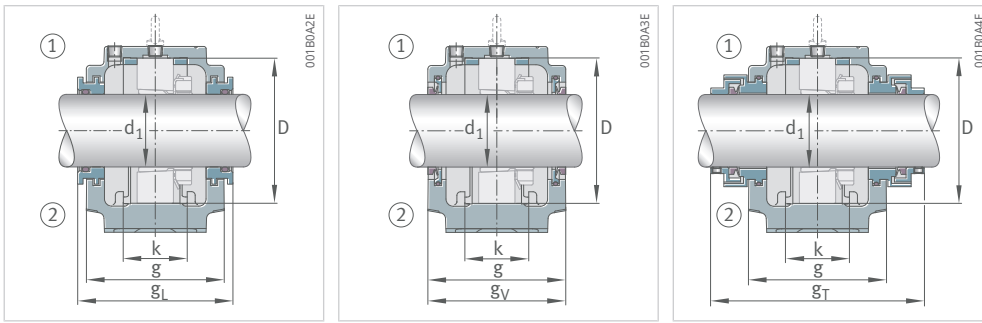
For metric or inch size shaft



Double lip seal EDH, cover

Felt seal EFS

Housing	d ₁		Bearing	Adapter sleeve	Locating ring	Cover
	mm	inch				
SES522-619-L	100,013	3,9375	20222-K	H322×315	FRM200/13,5	EDK522-619
SES522-619-L	100,013	3,9375	2222-K	H322×315	FRM200/13,5	EDK522-619
SES522-619-L	100,013	3,9375	22222..-K	H322×315	FRM200/13,5	EDK522-619
SES522-619-L	100,013	3,9375	222S.315	-	FRM200/13,5	EDK522-619
SES522-619-L	100,013	3,9375	23222..-K	H2322×315	FRM200/5,1	EDK522-619
SES622-322-L	100,013	3,9375	1322-K	H322×315	FRM240/20	EDK522-619
SES622-322-L	100,013	3,9375	21322..-K	H322×315	FRM240/20	EDK522-619
SES622-322-L	100,013	3,9375	22322..-K	H2322×315	FRM240/5	EDK522-619
SES622-322-L	100,013	3,9375	2322-K	H2322×315	FRM240/5	EDK522-619
SES522-619-L	101,6	4	1222-K	H222×400	FRM200/21	EDK522-619
SES522-619-L	101,6	4	20222-K	H322×400	FRM200/13,5	EDK522-619
SES522-619-L	101,6	4	2222-K	H322×400	FRM200/13,5	EDK522-619
SES522-619-L	101,6	4	22222..-K	H322×400	FRM200/13,5	EDK522-619
SES522-619-L	101,6	4	222S.400	-	FRM200/13,5	EDK522-619
SES522-619-L	101,6	4	23222..-K	H2322×400	FRM200/5,1	EDK522-619
SES622-322-L	101,6	4	1322-K	H322×400	FRM240/20	EDK522-619
SES622-322-L	101,6	4	21322..-K	H322×400	FRM240/20	EDK522-619
SES622-322-L	101,6	4	22322..-K	H2322×400	FRM240/5	EDK522-619
SES622-322-L	101,6	4	2322-K	H2322×400	FRM240/5	EDK522-619
SES524-620-L	106,363	4,1875	20224..-K	H3024×403	FRM215/23	EDK524-620
SES524-620-L	106,363	4,1875	22224..-K	H3124×403	FRM215/14	EDK524-620
SES524-620-L	106,363	4,1875	222S.403	-	FRM215/14	EDK524-620
SES524-620-L	106,363	4,1875	23224..-K	H2324×403	FRM215/5	EDK524-620
SES624-324-L	106,363	4,1875	20324..-K	H3124×403	FRM260/20,5	EDK524-620
SES624-324-L	106,363	4,1875	22324..-K	H2324×403	FRM260/5	EDK524-620
SES524-620-L	107,95	4,25	20224..-K	H3024×404	FRM215/23	EDK524-620
SES524-620-L	107,95	4,25	22224..-K	H3124×404	FRM215/14	EDK524-620
SES524-620-L	107,95	4,25	23224..-K	H2324×404	FRM215/5	EDK524-620
SES624-324-L	107,95	4,25	20324..-K	H3124×404	FRM260/20,5	EDK524-620
SES624-324-L	107,95	4,25	22324..-K	H2324×404	FRM260/5	EDK524-620
SES524-620-L	110	-	20224..-K	H3024	FRM215/23	EDK524-620
SES524-620-L	110	-	22224..-K	H3124	FRM215/14	EDK524-620
SES524-620-L	110	-	222SM110-TVPA	-	FRM215/14	EDK524-620
SES524-620-L	110	-	23224..-K	H2324	FRM215/5	EDK524-620
SES624-324-L	110	-	20324..-K	H3124	FRM260/20,5	EDK524-620
SES624-324-L	110	-	22324..-K	H2324	FRM260/5	EDK524-620
SES526-L	112,713	4,4375	20226..-K	H3026×407	FRM230/25	EDK526
SES526-L	112,713	4,4375	22226..-K	H3126×407	FRM230/13	EDK526
SES526-L	112,713	4,4375	222S.407	-	FRM230/13	EDK526
SES526-L	112,713	4,4375	23226..-K	H2326×407	FRM230/5	EDK526



Labyrinth seal ETS

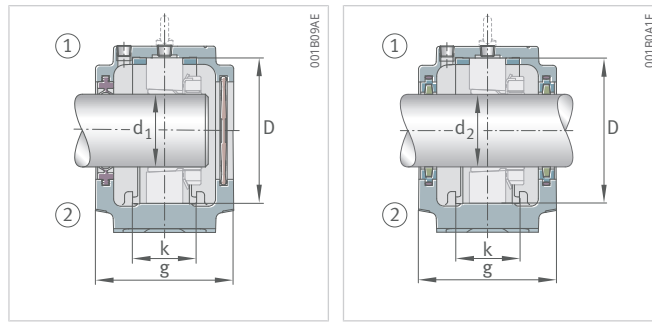
V ring seal EDV

Taconite seal ETC

Double lip seal	Felt seal	Labyrinth seal	g_L	V ring seal	g_V	Taconite seal	g_T
			mm		mm		mm
EDH522-622	EFS522-622	ETS522-622	191	EDV522-622	175	ETC522-622	250
EDH522-622	EFS522-622	ETS522-622	191	EDV522-622	175	ETC522-622	250
EDH522-622	EFS522-622	ETS522-622	191	EDV522-622	175	ETC522-622	250
EDH522-622	EFS522-622	ETS522-622	191	EDV522-622	175	ETC522-622	250
EDH522-622	EFS522-622	ETS522-622	191	EDV522-622	175	ETC522-622	250
EDH522-622	EFS522-622	ETS522-622	196,5	EDV522-622	180,5	ETC522-622	255,5
EDH522-622	EFS522-622	ETS522-622	196,5	EDV522-622	180,5	ETC522-622	255,5
EDH522-622	EFS522-622	ETS522-622	196,5	EDV522-622	180,5	ETC522-622	255,5
EDH522-622	EFS522-622	ETS522-622	196,5	EDV522-622	180,5	ETC522-622	255,5
EDH522-622	EFS522×400	ETS522×400	191	EDV522×400	175	ETC522×400	250
EDH522-622	EFS522×400	ETS522×400	191	EDV522×400	175	ETC522×400	250
EDH522-622	EFS522×400	ETS522×400	191	EDV522×400	175	ETC522×400	250
EDH522-622	EFS522×400	ETS522×400	191	EDV522×400	175	ETC522×400	250
EDH522-622	EFS522×400	ETS522×400	191	EDV522×400	175	ETC522×400	250
EDH522-622	EFS522×400	ETS522×400	191	EDV522×400	175	ETC522×400	250
EDH522-622	EFS522×400	ETS522×400	196,5	EDV522×400	180,5	ETC522×400	255,5
EDH522-622	EFS522×400	ETS522×400	196,5	EDV522×400	180,5	ETC522×400	255,5
EDH522-622	EFS522×400	ETS522×400	196,5	EDV522×400	180,5	ETC522×400	255,5
EDH522-622	EFS522×400	ETS522×400	196,5	EDV522×400	180,5	ETC522×400	255,5
EDH524×403	EFS524×403	ETS524×403	199	EDV524×403	185	ETC524×403	260
EDH524×403	EFS524×403	ETS524×403	199	EDV524×403	185	ETC524×403	260
EDH524×403	EFS524×403	ETS524×403	199	EDV524×403	185	ETC524×403	260
EDH524×403	EFS524×403	ETS524×403	199	EDV524×403	185	ETC524×403	260
EDH524×403	EFS524×403	ETS524×403	201,5	EDV524×403	185	ETC524×403	262,5
EDH524×403	EFS524×403	ETS524×403	201,5	EDV524×403	185	ETC524×403	262,5
EDH524×403	EFS524×404	ETS524×404	199	EDV524×404	185	ETC524×404	260
EDH524×403	EFS524×404	ETS524×404	199	EDV524×404	185	ETC524×404	260
EDH524×403	EFS524×404	ETS524×404	199	EDV524×404	185	ETC524×404	260
EDH524×403	EFS524×404	ETS524×404	201,5	EDV524×404	185	ETC524×404	262,5
EDH524×403	EFS524×404	ETS524×404	201,5	EDV524×404	185	ETC524×404	262,5
EDH524-624	EFS524-624	ETS524-624	199	EDV524-624	185	ETC524-624	260
EDH524-624	EFS524-624	ETS524-624	199	EDV524-624	185	ETC524-624	260
EDH524-624	EFS524-624	ETS524-624	199	EDV524-624	185	ETC524-624	260
EDH524-624	EFS524-624	ETS524-624	199	EDV524-624	185	ETC524-624	260
EDH524-624	EFS524-624	ETS524-624	201,5	EDV524-624	187,5	ETC524-624	262,5
EDH524-624	EFS524-624	ETS524-624	201,5	EDV524-624	187,5	ETC524-624	262,5
EDH526×407	EFS526×407	ETS526×407	207	EDV526×407	190	ETC526×407	265
EDH526×407	EFS526×407	ETS526×407	207	EDV526×407	190	ETC526×407	265
EDH526×407	EFS526×407	ETS526×407	207	EDV526×407	190	ETC526×407	265
EDH526×407	EFS526×407	ETS526×407	207	EDV526×407	190	ETC526×407	265

11.3 Split plummer block housings SES, accessories, bearings with tapered bore and adapter sleeve

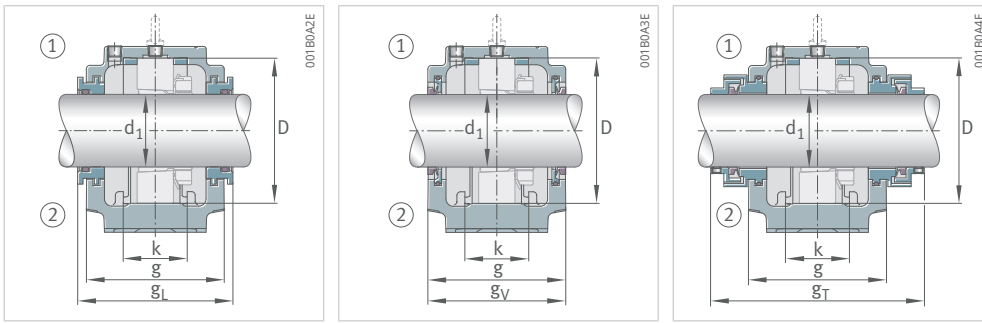
For metric or inch size shaft



Double lip seal EDH, cover

Felt seal EFS

Housing	d ₁		Bearing	Adapter sleeve	Locating ring	Cover
	mm	inch				
SES526-L	114,3	4,5	20226..-K	H3026×408	FRM230/25	EDK526
SES526-L	114,3	4,5	22226..-K	H3126×408	FRM230/13	EDK526
SES526-L	114,3	4,5	222S.408	-	FRM230/13	EDK526
SES526-L	114,3	4,5	23226..-K	H2326×408	FRM230/5	EDK526
SES526-L	115	-	20226..-K	H3026	FRM230/25	EDK526
SES526-L	115	-	22226..-K	H3126	FRM230/13	EDK526
SES526-L	115	-	222SM115-TVPA	-	FRM230/25	EDK526
SES526-L	115	-	23226..-K	H2326	FRM230/5	EDK526
SES526-L	120,65	4,75	20226..-K	H3026×412	FRM230/25	EDK526
SES526-L	120,65	4,75	22226..-K	H3126×412	FRM230/13	EDK526
SES526-L	120,65	4,75	23226..-K	H2326×412	FRM230/5	EDK526
SES528-L	125	-	20228..-K	H3028	FRM250/28	EDK528
SES528-L	125	-	22228..-K	H3128	FRM250/15	EDK528
SES528-L	125	-	222SM125-TVPA	-	FRM250/15	EDK528
SES528-L	125	-	23228..-K	H2328	FRM250/5	EDK528
SES528-L	125,413	4,9375	20228..-K	H3028×415	FRM250/28	EDK528
SES528-L	125,413	4,9375	22228..-K	H3128×415	FRM250/15	EDK528
SES528-L	125,413	4,9375	222S.415	-	FRM250/15	EDK528
SES528-L	125,413	4,9375	23228..-K	H2328×415	FRM250/5	EDK528
SES528-L	127	5	20228..-K	H3028×500	FRM250/28	EDK528
SES528-L	127	5	22228..-K	H3128×500	FRM250/15	EDK528
SES528-L	127	5	222S.500	-	FRM250/15	EDK528
SES528-L	127	5	23228..-K	H2328×500	FRM250/5	EDK528
SES530-L	131,763	5,1875	20230..-K	H3030×503	FRM270/30,5	EDK530
SES530-L	131,763	5,1875	22230..-K	H3130×503	FRM270/16,5	EDK530
SES530-L	131,763	5,1875	222S.503	-	FRM270/16,5	EDK530
SES530-L	131,763	5,1875	23230..-K	H2330×503	FRM270/5	EDK530
SES530-L	133,35	5,25	20230..-K	H3030×504	FRM270/30,5	EDK530
SES530-L	133,35	5,25	22230..-K	H3130×504	FRM270/16,5	EDK530
SES530-L	133,35	5,25	23230..-K	H2330×504	FRM270/5	EDK530
SES530-L	135	-	20230..-K	H3030	FRM270/30,5	EDK530
SES530-L	135	-	22230..-K	H3130	FRM270/16,5	EDK530
SES530-L	135	-	222SM135-TVPA	-	FRM270/16,5	EDK530
SES530-L	135	-	23230..-K	H2330	FRM270/5	EDK530
SES532-L	138,113	5,4375	20232..-K	H3032×507	FRM290/33	EDK532
SES532-L	138,113	5,4375	22232..-K	H3132×507	FRM290/17	EDK532
SES532-L	138,113	5,4375	222S.507	-	FRM290/17	EDK532
SES532-L	138,113	5,4375	23232..-K	H2332×507	FRM290/5	EDK532
SES532-L	139,7	5,5	20232..-K	H3032×508	FRM290/33	EDK532
SES532-L	139,7	5,5	22232..-K	H3132×508	FRM290/17	EDK532



Labyrinth seal ETS

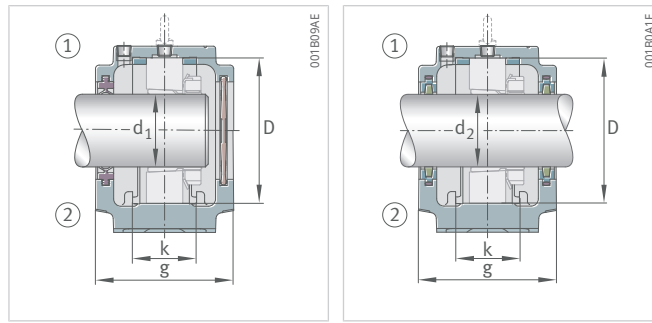
V ring seal EDV

Taconite seal ETC

Double lip seal	Felt seal	Labyrinth seal	g_L	V ring seal	g_V	Taconite seal	g_T
			mm		mm		mm
EDH526	EFS526	ETS526×408	207	EDV526	190	ETC526	265
EDH526	EFS526	ETS526×408	207	EDV526	190	ETC526	265
EDH526	EFS526	ETS526×408	207	EDV526	190	ETC526	265
EDH526	EFS526	ETS526×408	207	EDV526	190	ETC526	265
EDH526	EFS526	ETS526	207	EDV526	190	ETC526	265
EDH526	EFS526	ETS526	207	EDV526	190	ETC526	265
EDH526	EFS526	ETS526	207	EDV526	190	ETC526	265
EDH526	EFS526	ETS526	207	EDV526	190	ETC526	265
EDH526×412	EFS526×412	ETS526×412	207	EDV526×412	190	ETC526×412	265
EDH526×412	EFS526×412	ETS526×412	207	EDV526×412	190	ETC526×412	265
EDH526×412	EFS526×412	ETS526×412	207	EDV526×412	190	ETC526×412	265
EDH528	EFS528	ETS528	222	EDV528	205	ETC528	285
EDH528	EFS528	ETS528	222	EDV528	205	ETC528	285
EDH528	EFS528	ETS528	222	EDV528	205	ETC528	285
EDH528	EFS528	ETS528	222	EDV528	205	ETC528	285
EDH528	EFS528	ETS528×415	222	EDV528	205	ETC528×415	285
EDH528	EFS528	ETS528×415	222	EDV528	205	ETC528×415	285
EDH528	EFS528	ETS528×415	222	EDV528	205	ETC528×415	285
EDH528	EFS528	ETS528×415	222	EDV528	205	ETC528×415	285
EDH528	EFS528×500	ETS528×500	222	EDV528×500	205	ETC528×500	285
EDH528	EFS528×500	ETS528×500	222	EDV528×500	205	ETC528×500	285
EDH528	EFS528×500	ETS528×500	222	EDV528×500	205	ETC528×500	285
EDH528	EFS528×500	ETS528×500	222	EDV528×500	205	ETC528×500	285
EDH530×503	EFS530×503	ETS530×503	237	EDV530×503	220	ETC530×503	295
EDH530×503	EFS530×503	ETS530×503	237	EDV530×503	220	ETC530×503	295
EDH530×503	EFS530×503	ETS530×503	237	EDV530×503	220	ETC530×503	295
EDH530×503	EFS530×503	ETS530×503	237	EDV530×503	220	ETC530×503	295
EDH530×504	EFS530×504	ETS530×504	237	EDV530×504	220	ETC530×504	295
EDH530×504	EFS530×504	ETS530×504	237	EDV530×504	220	ETC530×504	295
EDH530×504	EFS530×504	ETS530×504	237	EDV530×504	220	ETC530×504	295
EDH530	EFS530	ETS530	237	EDV530	220	ETC530	295
EDH530	EFS530	ETS530	237	EDV530	220	ETC530	295
EDH530	EFS530	ETS530	237	EDV530	220	ETC530	295
EDH530	EFS530	ETS530	237	EDV530	220	ETC530	295
EDH532×507	EFS532×507	ETS532×507	252	EDV532×507	235	ETC532×507	315
EDH532×507	EFS532×507	ETS532×507	252	EDV532×507	235	ETC532×507	315
EDH532×507	EFS532×507	ETS532×507	252	EDV532×507	235	ETC532×507	315
EDH532×507	EFS532×507	ETS532×507	252	EDV532×507	235	ETC532×507	315
EDH532	EFS532	ETS532	252	EDV532	235	ETC532	315
EDH532	EFS532	ETS532	252	EDV532	235	ETC532	315

11.3 Split plummer block housings SES, accessories, bearings with tapered bore and adapter sleeve

For metric or inch size shaft

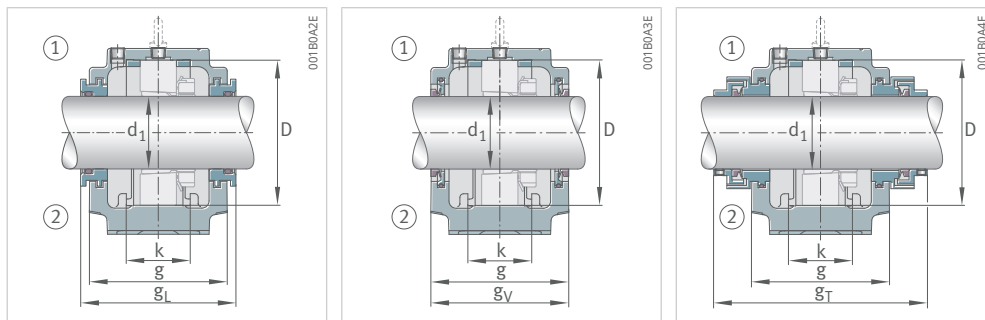


Double lip seal EDH, cover

Felt seal EFS

Housing	d ₁		Bearing	Adapter sleeve	Locating ring	Cover
	mm	inch				
SES532-L	139,7	5,5	222S.508	-	FRM290/17	EDK532
SES532-L	139,7	5,5	23232..-K	H2332×508	FRM290/5	EDK532
SES532-L	140	-	20232..-K	H3032(-HG)	FRM290/33	EDK532
SES532-L	140	-	22232..-K	H3132(-HG)	FRM290/17	EDK532
SES532-L	140	-	222SM140-TVPA	-	FRM290/17	EDK532
SES532-L	140	-	23232..-K	H2332(-HG)	FRM290/5	EDK532

11



Labyrinth seal ETS

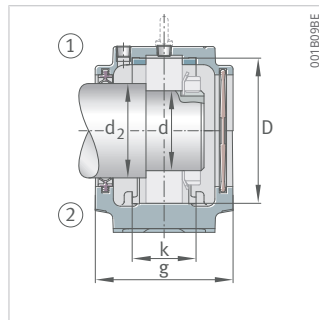
V ring seal EDV

Taconite seal ETC

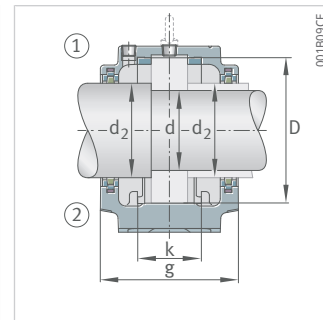
Double lip seal	Felt seal	Labyrinth seal	g_L	V ring seal	g_V	Taconite seal	g_T
			mm		mm		mm
EDH532	EFS532	ETS532	252	EDV532	235	ETC532	315
EDH532	EFS532	ETS532	252	EDV532	235	ETC532	315
EDH532	EFS532	ETS532	252	EDV532	235	ETC532	315
EDH532	EFS532	ETS532	252	EDV532	235	ETC532	315
EDH532	EFS532	ETS532	252	EDV532	235	ETC532	315
EDH532	EFS532	ETS532	252	EDV532	235	ETC532	315

11.4 Split plummer block housings SES, accessories, bearings with cylindrical bore

For metric shaft

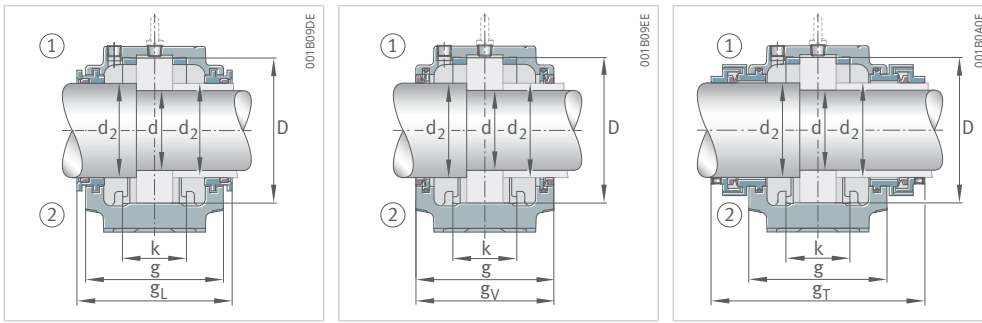


Double lip seal EDH, cover



Felt seal EFS

Housing	d	d ₂	Bearing	Locating ring	Cover
	mm	mm			
SES205-L	25	30	1205	FRM52/5	EDK506-605
SES205-L	25	30	20205	FRM52/5	EDK506-605
SES205-L	25	30	2205	FRM52/3,5	EDK506-605
SES205-L	25	30	22205	FRM52/3,5	EDK506-605
SES205-L	25	30	6205	FRM52/5	EDK506-605
SES205-L	25	30	WS22205-E1-2RSR	FRM52/1	EDK506-605
SES206-305-L	25	30	1305	FRM62/7,5	EDK507-606
SES206-305-L	25	30	20305	FRM62/7,5	EDK507-606
SES206-305-L	25	30	21305	FRM62/7,5	EDK507-606
SES206-305-L	25	30	2305	FRM62/4	EDK507-606
SES206-305-L	25	30	6305	FRM62/7,5	EDK507-606
SES206-305-L	30	35	1206	FRM62/8	EDK507-606
SES206-305-L	30	35	20206	FRM62/8	EDK507-606
SES206-305-L	30	35	2206	FRM62/6	EDK507-606
SES206-305-L	30	35	22206	FRM62/6	EDK507-606
SES206-305-L	30	35	6206	FRM62/8	EDK507-606
SES206-305-L	30	35	WS22206-E1-2RSR	FRM62/3,5	EDK507-606
SES507-606-L	30	35	1306	FRM72/7,5	EDK507-606
SES507-606-L	30	35	20306	FRM72/7,5	EDK507-606
SES507-606-L	30	35	21306	FRM72/7,5	EDK507-606
SES507-606-L	30	35	2306	FRM72/3,5	EDK507-606
SES507-606-L	30	35	6306	FRM72/7,5	EDK507-606
SES207-L	35	45	1207	FRM72/8,5	EDK509
SES207-L	35	45	20207	FRM72/8,5	EDK509
SES207-L	35	45	2207	FRM72/5,5	EDK509
SES207-L	35	45	22207	FRM72/5,5	EDK509
SES207-L	35	45	6207	FRM72/8,5	EDK509
SES207-L	35	45	WS22207-E1-2RSR	FRM72/3	EDK509
SES208-307-L	35	45	1307	FRM80/9	EDK510-608
SES208-307-L	35	45	20307	FRM80/9	EDK510-608
SES208-307-L	35	45	21307	FRM80/9	EDK510-608
SES208-307-L	35	45	2307	FRM80/4	EDK510-608
SES208-307-L	35	45	6307	FRM80/9	EDK510-608
SES208-307-L	40	50	1208	FRM80/10,5	EDK510-608
SES208-307-L	40	50	20208	FRM80/10,5	EDK510-608
SES208-307-L	40	50	2208	FRM80/8	EDK510-608
SES208-307-L	40	50	22208	FRM80/8	EDK510-608
SES208-307-L	40	50	6208	FRM80/10,5	EDK510-608
SES208-307-L	40	50	WS22208-E1-2RSR	FRM80/5,5	EDK510-608
SES510-608-L	40	50	1308	FRM90/9	EDK510-608



Labyrinth seal ETS

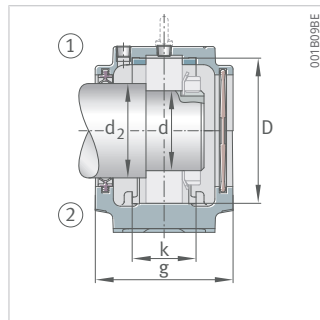
V ring seal EDV

Taconite seal ETC

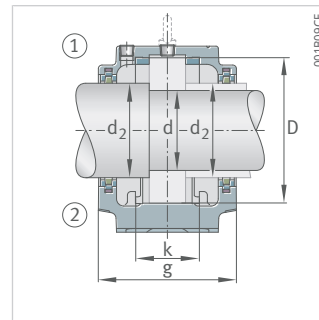
Double lip seal	Felt seal	Labyrinth seal	g_L	V ring seal	g_V	Taconite seal	g_T
			mm		mm		mm
EDH205	-	ETS205	90	-	-	ETC205	140
EDH205	-	ETS205	90	-	-	ETC205	140
EDH205	-	ETS205	90	-	-	ETC205	140
EDH205	-	ETS205	90	-	-	ETC205	140
EDH205	-	ETS205	90	-	-	ETC205	140
EDH205	-	ETS205	90	-	-	ETC205	140
EDH507-305	EFS507-305	ETS507-305	90	EDV507-305	77	ETC507-305	140
EDH507-305	EFS507-305	ETS507-305	90	EDV507-305	77	ETC507-305	140
EDH507-305	EFS507-305	ETS507-305	90	EDV507-305	77	ETC507-305	140
EDH507-305	EFS507-305	ETS507-305	90	EDV507-305	77	ETC507-305	140
EDH507-305	EFS507-305	ETS507-305	90	EDV507-305	77	ETC507-305	140
EDH206-306	-	ETS206-306	89	EDV206-306	77	ETC206-306	150
EDH206-306	-	ETS206-306	89	EDV206-306	77	ETC206-306	150
EDH206-306	-	ETS206-306	89	EDV206-306	77	ETC206-306	150
EDH206-306	-	ETS206-306	89	EDV206-306	77	ETC206-306	150
EDH206-306	-	ETS206-306	89	EDV206-306	77	ETC206-306	150
EDH206-306	-	ETS206-306	89	EDV206-306	77	ETC206-306	150
EDH206-306	-	ETS206-306	93	EDV206-306	81	ETC206-306	154
EDH206-306	-	ETS206-306	93	EDV206-306	81	ETC206-306	154
EDH206-306	-	ETS206-306	93	EDV206-306	81	ETC206-306	154
EDH206-306	-	ETS206-306	93	EDV206-306	81	ETC206-306	154
EDH206-306	-	ETS206-306	93	EDV206-306	81	ETC206-306	154
EDH207	-	ETS207	96	EDV207	82	ETC207	160
EDH207	-	ETS207	96	EDV207	82	ETC207	160
EDH207	-	ETS207	96	EDV207	82	ETC207	160
EDH207	-	ETS207	96	EDV207	82	ETC207	160
EDH207	-	ETS207	96	EDV207	82	ETC207	160
EDH207	-	ETS207	96	EDV207	82	ETC207	160
EDH510-307	EFS510-307	ETS510-307	99	EDV510-307	85	ETC510-307	145
EDH510-307	EFS510-307	ETS510-307	99	EDV510-307	85	ETC510-307	145
EDH510-307	EFS510-307	ETS510-307	99	EDV510-307	85	ETC510-307	145
EDH510-307	EFS510-307	ETS510-307	99	EDV510-307	85	ETC510-307	145
EDH510-307	EFS510-307	ETS510-307	99	EDV510-307	85	ETC510-307	145
EDH208-308	EFS208-308	ETS208-308	98	EDV208-308	85	ETC208-308	160
EDH208-308	EFS208-308	ETS208-308	98	EDV208-308	85	ETC208-308	160
EDH208-308	EFS208-308	ETS208-308	98	EDV208-308	85	ETC208-308	160
EDH208-308	EFS208-308	ETS208-308	98	EDV208-308	85	ETC208-308	160
EDH208-308	EFS208-308	ETS208-308	98	EDV208-308	85	ETC208-308	160
EDH208-308	EFS208-308	ETS208-308	98	EDV208-308	85	ETC208-308	160
EDH208-308	EFS208-308	ETS208-308	98	EDV208-308	85	ETC208-308	160
EDH208-308	EFS208-308	ETS208-308	101	EDV208-308	88	ETC208-308	163

11.4 Split plummer block housings SES, accessories, bearings with cylindrical bore

For metric shaft

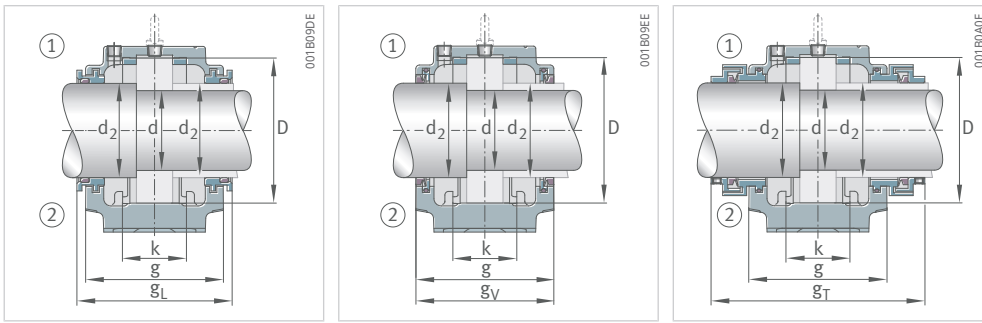


Double lip seal EDH, cover



Felt seal EFS

Housing	d	d ₂	Bearing	Locating ring	Cover
	mm	mm			
SES510-608-L	40	50	21308	FRM90/9	EDK510-608
SES510-608-L	40	50	22308	FRM90/4	EDK510-608
SES510-608-L	40	50	2308	FRM90/4	EDK510-608
SES510-608-L	40	50	WS22308-E1-2RSR	FRM90/1,5	EDK510-608
SES209-L	45	55	1209	FRM85/5,5	EDK511-609
SES209-L	45	55	20209	FRM85/5,5	EDK511-609
SES209-L	45	55	2209	FRM85/3,5	EDK511-609
SES209-L	45	55	22209	FRM85/3,5	EDK511-609
SES209-L	45	55	6209	FRM85/5,5	EDK511-609
SES209-L	45	55	WS22209-E1-2RSR	FRM85/1	EDK511-609
SES511-609-L	45	55	1309	FRM100/9,5	EDK511-609
SES511-609-L	45	55	20309	FRM100/9,5	EDK511-609
SES511-609-L	45	55	21309	FRM100/9,5	EDK511-609
SES511-609-L	45	55	22309	FRM100/4	EDK511-609
SES511-609-L	45	55	2309	FRM100/4	EDK511-609
SES511-609-L	45	55	6309	FRM100/9,5	EDK511-609
SES210-L	50	60	1210	FRM90/10,5	EDK512-610
SES210-L	50	60	20210	FRM90/10,5	EDK512-610
SES210-L	50	60	2210	FRM90/9	EDK512-610
SES210-L	50	60	22210	FRM90/9	EDK512-610
SES210-L	50	60	6210	FRM90/10,5	EDK512-610
SES210-L	50	60	WS22210-E1-2RSR	FRM90/6,5	EDK512-610
SES512-610-L	50	60	1310	FRM110/10,5	EDK512-610
SES512-610-L	50	60	20310	FRM110/10,5	EDK512-610
SES512-610-L	50	60	21310	FRM110/10,5	EDK512-610
SES512-610-L	50	60	22310	FRM110/4	EDK512-610
SES512-610-L	50	60	2310	FRM110/4	EDK512-610
SES512-610-L	50	60	6310	FRM110/10,5	EDK512-610
SES211-L	55	65	1211	FRM100/11,5	EDK513-611
SES211-L	55	65	20211	FRM100/11,5	EDK513-611
SES211-L	55	65	2211	FRM100/9,5	EDK513-611
SES211-L	55	65	22211	FRM100/9,5	EDK513-611
SES211-L	55	65	6211	FRM100/11,5	EDK513-611
SES211-L	55	65	WS22211-E1-2RSR	FRM100/6,5	EDK513-611
SES513-611-L	55	65	1311	FRM120/11	EDK513-611
SES513-611-L	55	65	20311	FRM120/11	EDK513-611
SES513-611-L	55	65	21311	FRM120/11	EDK513-611
SES513-611-L	55	65	22311	FRM120/4	EDK513-611
SES513-611-L	55	65	2311	FRM120/4	EDK513-611
SES513-611-L	55	65	6311	FRM120/11	EDK513-611



Labyrinth seal ETS

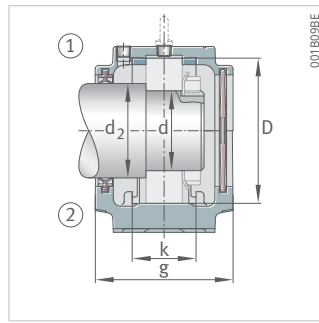
V ring seal EDV

Taconite seal ETC

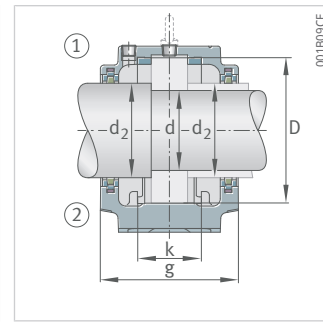
Double lip seal	Felt seal	Labyrinth seal	g_L	V ring seal	g_V	Taconite seal	g_T
			mm		mm		mm
EDH208-308	EFS208-308	ETS208-308	101	EDV208-308	88	ETC208-308	163
EDH208-308	EFS208-308	ETS208-308	101	EDV208-308	88	ETC208-308	163
EDH208-308	EFS208-308	ETS208-308	101	EDV208-308	88	ETC208-308	163
EDH208-308	EFS208-308	ETS208-308	101	EDV208-308	88	ETC208-308	163
EDH209-309	EFS209-309	ETS209-309	97	EDV209-309	85	ETC209-309	160
EDH209-309	EFS209-309	ETS209-309	97	EDV209-309	85	ETC209-309	160
EDH209-309	EFS209-309	ETS209-309	97	EDV209-309	85	ETC209-309	160
EDH209-309	EFS209-309	ETS209-309	97	EDV209-309	85	ETC209-309	160
EDH209-309	EFS209-309	ETS209-309	97	EDV209-309	85	ETC209-309	160
EDH209-309	EFS209-309	ETS209-309	107	EDV209-309	95	ETC209-309	170
EDH209-309	EFS209-309	ETS209-309	107	EDV209-309	95	ETC209-309	170
EDH209-309	EFS209-309	ETS209-309	107	EDV209-309	95	ETC209-309	170
EDH209-309	EFS209-309	ETS209-309	107	EDV209-309	95	ETC209-309	170
EDH209-309	EFS209-309	ETS209-309	107	EDV209-309	95	ETC209-309	170
EDH209-309	EFS209-309	ETS209-309	107	EDV209-309	95	ETC209-309	170
EDH210-310	EFS210-310	ETS210-310	102	EDV210-310	90	ETC210-310	165
EDH210-310	EFS210-310	ETS210-310	102	EDV210-310	90	ETC210-310	165
EDH210-310	EFS210-310	ETS210-310	102	EDV210-310	90	ETC210-310	165
EDH210-310	EFS210-310	ETS210-310	102	EDV210-310	90	ETC210-310	165
EDH210-310	EFS210-310	ETS210-310	102	EDV210-310	90	ETC210-310	165
EDH210-310	EFS210-310	ETS210-310	117	EDV210-310	105	ETC210-310	180
EDH210-310	EFS210-310	ETS210-310	117	EDV210-310	105	ETC210-310	180
EDH210-310	EFS210-310	ETS210-310	117	EDV210-310	105	ETC210-310	180
EDH210-310	EFS210-310	ETS210-310	117	EDV210-310	105	ETC210-310	180
EDH210-310	EFS210-310	ETS210-310	117	EDV210-310	105	ETC210-310	180
EDH210-310	EFS210-310	ETS210-310	117	EDV210-310	105	ETC210-310	180
EDH210-310	EFS210-310	ETS210-310	117	EDV210-310	105	ETC210-310	180
EDH211-311	EFS211-311	ETS211-311	107	EDV211-311	95	ETC211-311	170
EDH211-311	EFS211-311	ETS211-311	107	EDV211-311	95	ETC211-311	170
EDH211-311	EFS211-311	ETS211-311	107	EDV211-311	95	ETC211-311	170
EDH211-311	EFS211-311	ETS211-311	107	EDV211-311	95	ETC211-311	170
EDH211-311	EFS211-311	ETS211-311	107	EDV211-311	95	ETC211-311	170
EDH211-311	EFS211-311	ETS211-311	122	EDV211-311	110	ETC211-311	185
EDH211-311	EFS211-311	ETS211-311	122	EDV211-311	110	ETC211-311	185
EDH211-311	EFS211-311	ETS211-311	122	EDV211-311	110	ETC211-311	185
EDH211-311	EFS211-311	ETS211-311	122	EDV211-311	110	ETC211-311	185
EDH211-311	EFS211-311	ETS211-311	122	EDV211-311	110	ETC211-311	185
EDH211-311	EFS211-311	ETS211-311	122	EDV211-311	110	ETC211-311	185
EDH211-311	EFS211-311	ETS211-311	122	EDV211-311	110	ETC211-311	185

11.4 Split plummer block housings SES, accessories, bearings with cylindrical bore

For metric shaft



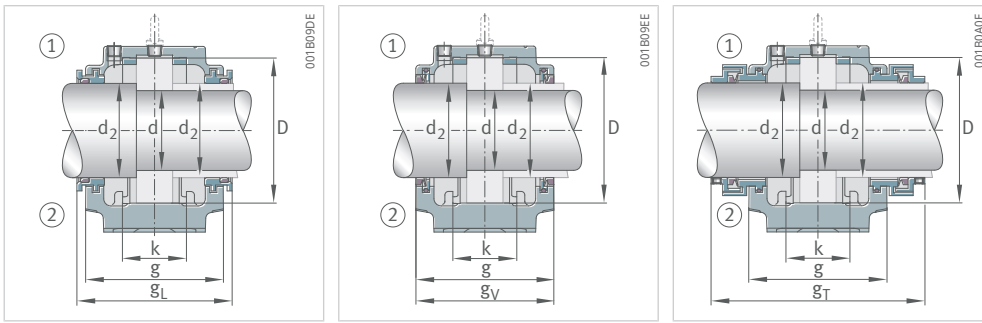
Double lip seal EDH, cover



Felt seal EFS

Housing	d	d ₂	Bearing	Locating ring	Cover
	mm	mm			
SES513-611-L	55	65	WS22311-E1-2RSR	FRM120/1	EDK513-611
SES212-L	60	70	1212	FRM110/13	EDK515-612
SES212-L	60	70	20212	FRM110/13	EDK515-612
SES212-L	60	70	2212	FRM110/10	EDK515-612
SES212-L	60	70	22212	FRM110/10	EDK515-612
SES212-L	60	70	6212	FRM110/13	EDK515-612
SES212-L	60	70	WS22212-E1-2RSR	FRM110/7	EDK515-612
SES515-612-L	60	70	1312	FRM130/12,5	EDK515-612
SES515-612-L	60	70	20312	FRM130/12,5	EDK515-612
SES515-612-L	60	70	21312	FRM130/12,5	EDK515-612
SES515-612-L	60	70	22312	FRM130/5	EDK515-612
SES515-612-L	60	70	2312	FRM130/5	EDK515-612
SES515-612-L	60	70	6312	FRM130/12,5	EDK515-612
SES213-L	65	75	1213	FRM120/14	EDK516-613
SES213-L	65	75	20213	FRM120/14	EDK516-613
SES213-L	65	75	2213	FRM120/10	EDK516-613
SES213-L	65	75	22213	FRM120/10	EDK516-613
SES213-L	65	75	6213	FRM120/14	EDK516-613
SES213-L	65	75	WS22213-E1-2RSR	FRM120/6,5	EDK516-613
SES516-613-L	65	75	1313	FRM140/12,5	EDK516-613
SES516-613-L	65	75	20313	FRM140/12,5	EDK516-613
SES516-613-L	65	75	21313	FRM140/12,5	EDK516-613
SES516-613-L	65	75	22313	FRM140/5	EDK516-613
SES516-613-L	65	75	2313	FRM140/5	EDK516-613
SES516-613-L	65	75	6313	FRM140/12,5	EDK516-613
SES214-L	70	80	1214	FRM125/7,5	EDK217
SES214-L	70	80	20214	FRM125/7,5	EDK217
SES214-L	70	80	2214	FRM125/4	EDK217
SES214-L	70	80	22214	FRM125/4	EDK217
SES214-L	70	80	6214	FRM125/7,5	EDK217
SES517-L	70	80	1314	FRM150/13	EDK517
SES517-L	70	80	20314	FRM150/13	EDK517
SES517-L	70	80	21314	FRM150/13	EDK517
SES517-L	70	80	22314	FRM150/5	EDK517
SES517-L	70	80	2314	FRM150/5	EDK517
SES517-L	70	80	6314	FRM150/13	EDK517
SES215-L	75	85	1215	FRM130/15,5	EDK518-615
SES215-L	75	85	20215	FRM130/15,5	EDK518-615
SES215-L	75	85	2215	FRM130/12,5	EDK518-615
SES215-L	75	85	22215	FRM130/12,5	EDK518-615

11



Labyrinth seal ETS

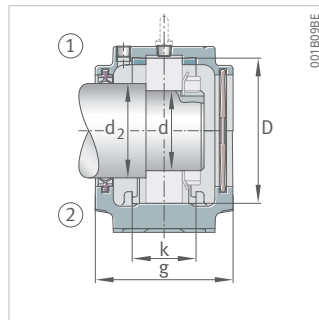
V ring seal EDV

Taconite seal ETC

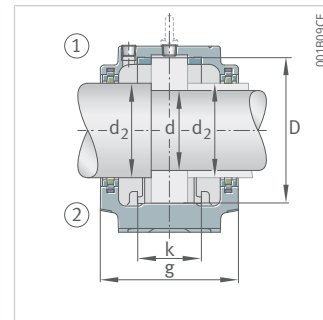
Double lip seal	Felt seal	Labyrinth seal	g_L	V ring seal	g_V	Taconite seal	g_T
			mm		mm		mm
EDH211-311	EFS211-311	ETS211-311	122	EDV211-311	110	ETC211-311	185
EDH212-312	-	ETS212-312	117	EDV212-312	105	ETC212-312	185
EDH212-312	-	ETS212-312	117	EDV212-312	105	ETC212-312	185
EDH212-312	-	ETS212-312	117	EDV212-312	105	ETC212-312	185
EDH212-312	-	ETS212-312	117	EDV212-312	105	ETC212-312	185
EDH212-312	-	ETS212-312	117	EDV212-312	105	ETC212-312	185
EDH212-312	-	ETS212-312	117	EDV212-312	105	ETC212-312	185
EDH212-312	-	ETS212-312	127	EDV212-312	115	ETC212-312	195
EDH212-312	-	ETS212-312	127	EDV212-312	115	ETC212-312	195
EDH212-312	-	ETS212-312	127	EDV212-312	115	ETC212-312	195
EDH212-312	-	ETS212-312	127	EDV212-312	115	ETC212-312	195
EDH212-312	-	ETS212-312	127	EDV212-312	115	ETC212-312	195
EDH212-312	-	ETS212-312	127	EDV212-312	115	ETC212-312	195
EDH212-312	-	ETS212-312	127	EDV212-312	115	ETC212-312	195
EDH213-313	-	ETS213-313	124	EDV213-313	110	ETC213-313	190
EDH213-313	-	ETS213-313	124	EDV213-313	110	ETC213-313	190
EDH213-313	-	ETS213-313	124	EDV213-313	110	ETC213-313	190
EDH213-313	-	ETS213-313	124	EDV213-313	110	ETC213-313	190
EDH213-313	-	ETS213-313	124	EDV213-313	110	ETC213-313	190
EDH213-313	-	ETS213-313	124	EDV213-313	110	ETC213-313	190
EDH213-313	-	ETS213-313	124	EDV213-313	110	ETC213-313	190
EDH213-313	-	ETS213-313	124	EDV213-313	110	ETC213-313	190
EDH213-313	-	ETS213-313	134	EDV213-313	120	ETC213-313	200
EDH213-313	-	ETS213-313	134	EDV213-313	120	ETC213-313	200
EDH213-313	-	ETS213-313	134	EDV213-313	120	ETC213-313	200
EDH213-313	-	ETS213-313	134	EDV213-313	120	ETC213-313	200
EDH213-313	-	ETS213-313	134	EDV213-313	120	ETC213-313	200
EDH213-313	-	ETS213-313	134	EDV213-313	120	ETC213-313	200
EDH213-313	-	ETS213-313	134	EDV213-313	120	ETC213-313	200
EDH214	EFS214	ETS214	120,25	EDV214	110	ETC214	143
EDH214	EFS214	ETS214	120,25	EDV214	110	ETC214	143
EDH214	EFS214	ETS214	120,25	EDV214	110	ETC214	143
EDH214	EFS214	ETS214	120,25	EDV214	110	ETC214	143
EDH214	EFS214	ETS214	120,25	EDV214	110	ETC214	143
EDH314	-	ETS314	139	EDV314	125	ETC314	205
EDH314	-	ETS314	139	EDV314	125	ETC314	205
EDH314	-	ETS314	139	EDV314	125	ETC314	205
EDH314	-	ETS314	139	EDV314	125	ETC314	205
EDH314	-	ETS314	139	EDV314	125	ETC314	205
EDH314	-	ETS314	139	EDV314	125	ETC314	205
EDH215-315	EFS215-315	ETS215-315	129	EDV215-315	115	ETC215-315	195
EDH215-315	EFS215-315	ETS215-315	129	EDV215-315	115	ETC215-315	195
EDH215-315	EFS215-315	ETS215-315	129	EDV215-315	115	ETC215-315	195
EDH215-315	EFS215-315	ETS215-315	129	EDV215-315	115	ETC215-315	195

11.4 Split plummer block housings SES, accessories, bearings with cylindrical bore

For metric shaft



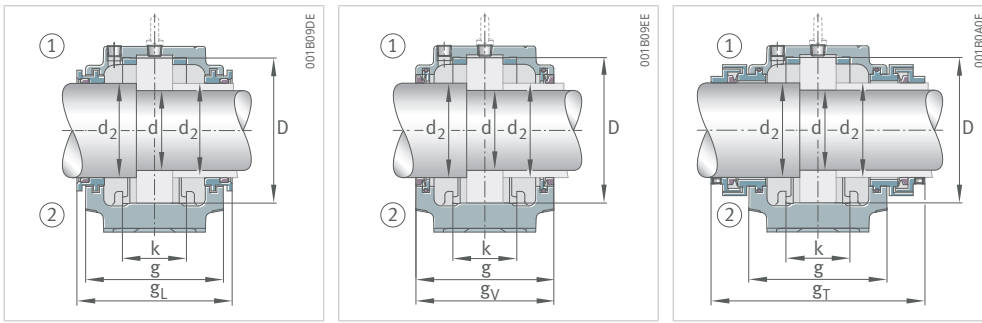
Double lip seal EDH, cover



Felt seal EFS

Housing	d	d ₂	Bearing	Locating ring	Cover
	mm	mm			
SES215-L	75	85	6215	FRM130/15,5	EDK518-615
SES215-L	75	85	WS22215-E1-2RSR	FRM130/9	EDK518-615
SES518-615-L	75	85	1315	FRM160/14	EDK518-615
SES518-615-L	75	85	20315	FRM160/14	EDK518-615
SES518-615-L	75	85	21315	FRM160/14	EDK518-615
SES518-615-L	75	85	22315	FRM160/5	EDK518-615
SES518-615-L	75	85	2315	FRM160/5	EDK518-615
SES518-615-L	75	85	6315	FRM160/14	EDK518-615
SES216-L	80	90	1216	FRM140/16	EDK216
SES216-L	80	90	20216	FRM140/16	EDK216
SES216-L	80	90	2216	FRM140/12,5	EDK216
SES216-L	80	90	22216	FRM140/12,5	EDK216
SES216-L	80	90	6216	FRM140/16	EDK216
SES216-L	80	90	WS22216-E1-2RSR	FRM140/9	EDK216
SES519-616-L	80	90	1316	FRM170/14,5	EDK519-616
SES519-616-L	80	90	20316	FRM170/14,5	EDK519-616
SES519-616-L	80	90	21316	FRM170/14,5	EDK519-616
SES519-616-L	80	90	22316	FRM170/5	EDK519-616
SES519-616-L	80	90	2316	FRM170/5	EDK519-616
SES519-616-L	80	90	6316	FRM170/14,5	EDK519-616
SES217-L	85	95	1217	FRM150/16,5	EDK217
SES217-L	85	95	20217	FRM150/16,5	EDK217
SES217-L	85	95	2217	FRM150/12,5	EDK217
SES217-L	85	95	22217	FRM150/12,5	EDK217
SES217-L	85	95	6217	FRM150/16,5	EDK217
SES217-L	85	95	WS22217-E1-2RSR	FRM150/8,5	EDK217
SES520-617-L	85	95	1317	FRM180/14,5	EDK520-617
SES520-617-L	85	95	20317	FRM180/14,5	EDK520-617
SES520-617-L	85	95	21317	FRM180/14,5	EDK520-617
SES520-617-L	85	95	22317	FRM180/5	EDK520-617
SES520-617-L	85	95	2317	FRM180/5	EDK520-617
SES520-617-L	85	95	6317	FRM180/14,5	EDK520-617
SES218-L	90	100	1218	FRM160/17,5	EDK218
SES218-L	90	100	20218	FRM160/17,5	EDK218
SES218-L	90	100	2218	FRM160/12,5	EDK218
SES218-L	90	100	22218	FRM160/12,5	EDK218
SES218-L	90	100	23218	FRM160/6,25	EDK218
SES218-L	90	100	6218	FRM160/17,5	EDK218
SES218-L	90	100	WS22218-E1-2RSR	FRM160/8,5	EDK218
SES618-318-L	90	105	1318	FRM190/15,5	EDK218

11



Labyrinth seal ETS

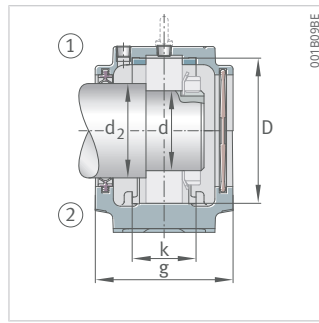
V ring seal EDV

Taconite seal ETC

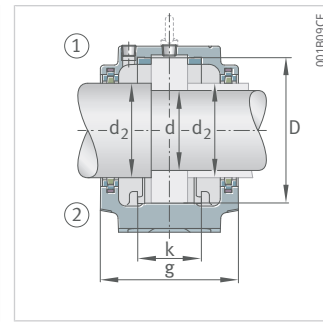
Double lip seal	Felt seal	Labyrinth seal	g_L	V ring seal	g_V	Taconite seal	g_T
			mm		mm		mm
EDH215-315	EFS215-315	ETS215-315	129	EDV215-315	115	ETC215-315	195
EDH215-315	EFS215-315	ETS215-315	129	EDV215-315	115	ETC215-315	195
EDH215-315	EFS215-315	ETS215-315	154	EDV215-315	140	ETC215-315	220
EDH215-315	EFS215-315	ETS215-315	154	EDV215-315	140	ETC215-315	220
EDH215-315	EFS215-315	ETS215-315	154	EDV215-315	140	ETC215-315	220
EDH215-315	EFS215-315	ETS215-315	154	EDV215-315	140	ETC215-315	220
EDH215-315	EFS215-315	ETS215-315	154	EDV215-315	140	ETC215-315	220
EDH215-315	EFS215-315	ETS215-315	154	EDV215-315	140	ETC215-315	220
EDH216	EFS216	ETS216	134	EDV216	120	ETC216	200
EDH216	EFS216	ETS216	134	EDV216	120	ETC216	200
EDH216	EFS216	ETS216	134	EDV216	120	ETC216	200
EDH216	EFS216	ETS216	134	EDV216	120	ETC216	200
EDH216	EFS216	ETS216	134	EDV216	120	ETC216	200
EDH216	EFS216	ETS216	134	EDV216	120	ETC216	200
EDH316	EFS316	ETS316	161	EDV316	145	ETC316	218
EDH316	EFS316	ETS316	161	EDV316	145	ETC316	218
EDH316	EFS316	ETS316	161	EDV316	145	ETC316	218
EDH316	EFS316	ETS316	161	EDV316	145	ETC316	218
EDH316	EFS316	ETS316	161	EDV316	145	ETC316	218
EDH316	EFS316	ETS316	161	EDV316	145	ETC316	218
EDH217	-	ETS217	139	EDV217	123	ETC217	205
EDH217	-	ETS217	139	EDV217	123	ETC217	205
EDH217	-	ETS217	139	EDV217	123	ETC217	205
EDH217	-	ETS217	139	EDV217	123	ETC217	205
EDH217	-	ETS217	139	EDV217	123	ETC217	205
EDH217	-	ETS217	139	EDV217	123	ETC217	205
EDH317	EFS317	ETS317	176	EDV317	160	ETC317	238
EDH317	EFS317	ETS317	176	EDV317	160	ETC317	238
EDH317	EFS317	ETS317	176	EDV317	160	ETC317	238
EDH317	EFS317	ETS317	176	EDV317	160	ETC317	238
EDH317	EFS317	ETS317	176	EDV317	160	ETC317	238
EDH317	EFS317	ETS317	176	EDV317	160	ETC317	238
EDH218	EFS218	ETS218	154	EDV218	140	ETC218	220
EDH218	EFS218	ETS218	154	EDV218	140	ETC218	220
EDH218	EFS218	ETS218	154	EDV218	140	ETC218	220
EDH218	EFS218	ETS218	154	EDV218	140	ETC218	220
EDH218	EFS218	ETS218	154	EDV218	140	ETC218	220
EDH218	EFS218	ETS218	154	EDV218	140	ETC218	220
EDH218	EFS218	ETS218	154	EDV218	140	ETC218	220
EDH218	EFS218	ETS218	154	EDV218	140	ETC218	220
EDH318	EFS318	ETS318	170,3	EDV318	162,5	-	-

11.4 Split plummer block housings SES, accessories, bearings with cylindrical bore

For metric shaft

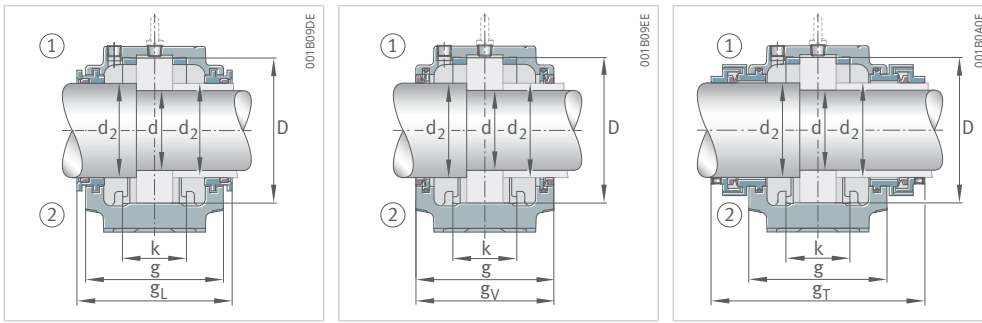


Double lip seal EDH, cover



Felt seal EFS

Housing	d	d ₂	Bearing	Locating ring	Cover
	mm	mm			
SES618-318-L	90	105	20318	FRM190/15,5	EDK218
SES618-318-L	90	105	21318	FRM190/15,5	EDK218
SES618-318-L	90	105	22318	FRM190/5	EDK218
SES618-318-L	90	105	2318	FRM190/5	EDK218
SES618-318-L	90	105	6318	FRM190/15,5	EDK218
SES519-616-L	95	110	1219	FRM170/18	EDK519-616
SES519-616-L	95	110	20219	FRM170/18	EDK519-616
SES519-616-L	95	110	2219	FRM170/12,5	EDK519-616
SES519-616-L	95	110	22219	FRM170/12,5	EDK519-616
SES519-616-L	95	110	6219	FRM170/18	EDK519-616
SES522-619-L	95	110	1319	FRM200/17,5	EDK522-619
SES522-619-L	95	110	20319	FRM200/17,5	EDK522-619
SES522-619-L	95	110	21319	FRM200/17,5	EDK522-619
SES522-619-L	95	110	22319	FRM200/6,5	EDK522-619
SES522-619-L	95	110	2319	FRM200/6,5	EDK522-619
SES522-619-L	95	110	6319	FRM200/17,5	EDK522-619
SES520-617-L	100	115	1220	FRM180/18	EDK520-617
SES520-617-L	100	115	20220	FRM180/18	EDK520-617
SES520-617-L	100	115	2220	FRM180/12	EDK520-617
SES520-617-L	100	115	22220	FRM180/12	EDK520-617
SES520-617-L	100	115	23220	FRM180/4,85	EDK520-617
SES520-617-L	100	115	6220	FRM180/18	EDK520-617
SES520-617-L	100	115	WS22220-E1-2VSR	FRM180/7,5	EDK520-617
SES524-620-L	100	115	1320	FRM215/19,5	EDK524-620
SES524-620-L	100	115	20320	FRM215/19,5	EDK524-620
SES524-620-L	100	115	21320	FRM215/19,5	EDK524-620
SES524-620-L	100	115	22320	FRM215/6,5	EDK524-620
SES524-620-L	100	115	2320	FRM215/6,5	EDK524-620
SES524-620-L	100	115	6320	FRM215/19,5	EDK524-620
SES522-619-L	110	125	1222	FRM200/21	EDK522-619
SES522-619-L	110	125	20222	FRM200/21	EDK522-619
SES522-619-L	110	125	2222	FRM200/13,5	EDK522-619
SES522-619-L	110	125	22222	FRM200/13,5	EDK522-619
SES522-619-L	110	125	23222	FRM200/5,1	EDK522-619
SES522-619-L	110	125	6222	FRM200/21	EDK522-619
SES522-619-L	110	125	WS22222-E1-2VSR	FRM200/8,5	EDK522-619
SES622-322-L	110	125	1322	FRM240/20	EDK522-619
SES622-322-L	110	125	20322	FRM240/20	EDK522-619
SES622-322-L	110	125	21322	FRM240/20	EDK522-619
SES622-322-L	110	125	22322	FRM240/5	EDK522-619



Labyrinth seal ETS

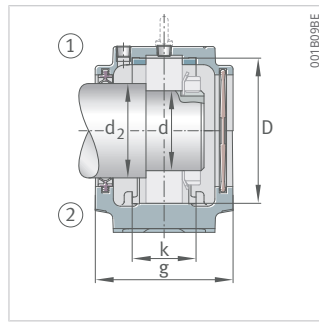
V ring seal EDV

Taconite seal ETC

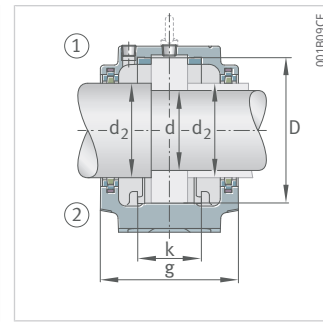
Double lip seal	Felt seal	Labyrinth seal	g_L	V ring seal	g_V	Taconite seal	g_T
			mm		mm		mm
EDH318	EFS318	ETS318	170,3	EDV318	162,5	-	-
EDH318	EFS318	ETS318	170,3	EDV318	162,5	-	-
EDH318	EFS318	ETS318	170,3	EDV318	162,5	-	-
EDH318	EFS318	ETS318	170,3	EDV318	162,5	-	-
EDH318	EFS318	ETS318	170,3	EDV318	162,5	-	-
EDH219	EFS219	ETS219	161	EDV219	158	-	-
EDH219	EFS219	ETS219	161	EDV219	158	-	-
EDH219	EFS219	ETS219	161	EDV219	158	-	-
EDH219	EFS219	ETS219	161	EDV219	158	-	-
EDH219	EFS219	ETS219	161	EDV219	158	-	-
EDH319	EFS319	ETS319	191	EDV319	175	ETC319	253
EDH319	EFS319	ETS319	191	EDV319	175	ETC319	253
EDH319	EFS319	ETS319	191	EDV319	175	ETC319	253
EDH319	EFS319	ETS319	191	EDV319	175	ETC319	253
EDH319	EFS319	ETS319	191	EDV319	175	ETC319	253
EDH319	EFS319	ETS319	191	EDV319	175	ETC319	253
EDH220	EFS220	ETS220	176	EDV220	160	ETC220	245
EDH220	EFS220	ETS220	176	EDV220	160	ETC220	245
EDH220	EFS220	ETS220	176	EDV220	160	ETC220	245
EDH220	EFS220	ETS220	176	EDV220	160	ETC220	245
EDH220	EFS220	ETS220	176	EDV220	160	ETC220	245
EDH220	EFS220	ETS220	176	EDV220	160	ETC220	245
EDH220	EFS220	ETS220	176	EDV220	160	ETC220	245
EDH220	EFS220	ETS220	176	EDV220	160	ETC220	245
EDH320	EFS320	ETS320	199	EDV320	185	ETC320	260
EDH320	EFS320	ETS320	199	EDV320	185	ETC320	260
EDH320	EFS320	ETS320	199	EDV320	185	ETC320	260
EDH320	EFS320	ETS320	199	EDV320	185	ETC320	260
EDH320	EFS320	ETS320	199	EDV320	185	ETC320	260
EDH320	EFS320	ETS320	199	EDV320	185	ETC320	260
EDH222-322	EFS222-322	ETS222-322	191	EDV222-322	175	ETC222-322	255
EDH222-322	EFS222-322	ETS222-322	191	EDV222-322	175	ETC222-322	255
EDH222-322	EFS222-322	ETS222-322	191	EDV222-322	175	ETC222-322	255
EDH222-322	EFS222-322	ETS222-322	191	EDV222-322	175	ETC222-322	255
EDH222-322	EFS222-322	ETS222-322	191	EDV222-322	175	ETC222-322	255
EDH222-322	EFS222-322	ETS222-322	191	EDV222-322	175	ETC222-322	255
EDH222-322	EFS222-322	ETS222-322	196,5	EDV222-322	180,5	ETC222-322	260,5
EDH222-322	EFS222-322	ETS222-322	196,5	EDV222-322	180,5	ETC222-322	260,5
EDH222-322	EFS222-322	ETS222-322	196,5	EDV222-322	180,5	ETC222-322	260,5
EDH222-322	EFS222-322	ETS222-322	196,5	EDV222-322	180,5	ETC222-322	260,5

11.4 Split plummer block housings SES, accessories, bearings with cylindrical bore

For metric shaft

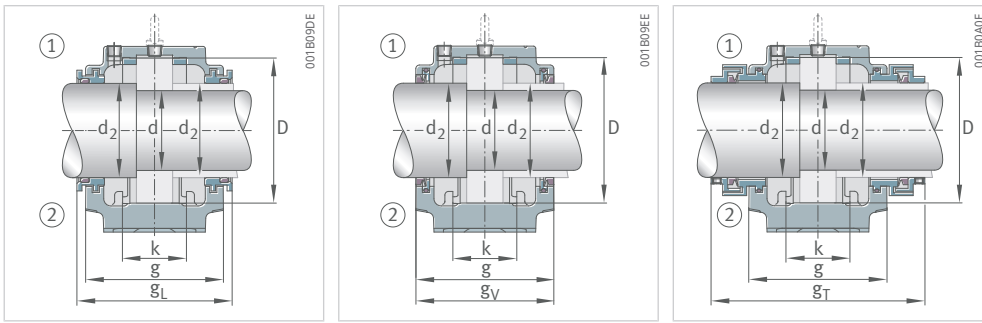


Double lip seal EDH, cover



Felt seal EFS

Housing	d	d ₂	Bearing	Locating ring	Cover
	mm	mm			
SES622-322-L	110	125	2322	FRM240/5	EDK522-619
SES622-322-L	110	125	6322	FRM240/20	EDK522-619
SES524-620-L	120	135	1224	FRM215/22	EDK524-620
SES524-620-L	120	135	20224	FRM215/23	EDK524-620
SES524-620-L	120	135	22224	FRM215/14	EDK524-620
SES524-620-L	120	135	23224	FRM215/5	EDK524-620
SES524-620-L	120	135	6224	FRM215/23	EDK524-620
SES524-620-L	120	135	WS22224-E1-2VSR	FRM215/8,5	EDK524-620
SES624-324-L	120	135	20324	FRM260/20,5	EDK524-620
SES624-324-L	120	135	22324	FRM260/5	EDK524-620
SES624-324-L	120	135	6324	FRM260/20,5	EDK524-620
SES526-L	130	145	1226	FRM230/22	EDK526
SES526-L	130	145	20226	FRM230/25	EDK526
SES526-L	130	145	22226	FRM230/13	EDK526
SES526-L	130	145	23226	FRM230/5	EDK526
SES526-L	130	145	6226	FRM230/25	EDK526
SES526-L	130	145	WS22226-E1-2RSR	FRM230/7,5	EDK526
SES528-L	140	155	20228	FRM250/28	EDK528
SES528-L	140	155	22228	FRM250/15	EDK528
SES528-L	140	155	23228	FRM250/5	EDK528
SES528-L	140	155	6228	FRM250/28	EDK528
SES530-L	150	165	20230	FRM270/30,5	EDK530
SES530-L	150	165	22230	FRM270/16,5	EDK530
SES530-L	150	165	23230	FRM270/5	EDK530
SES530-L	150	165	6230	FRM270/30,5	EDK530
SES532-L	160	175	20232	FRM290/33	EDK532
SES532-L	160	175	22232	FRM290/17	EDK532
SES532-L	160	175	23232	FRM290/5	EDK532
SES532-L	160	175	6232	FRM290/33	EDK532



Labyrinth seal ETS

V ring seal EDV

Taconite seal ETC

Double lip seal	Felt seal	Labyrinth seal	g_L	V ring seal	g_V	Taconite seal	g_T
			mm		mm		mm
EDH222-322	EFS222-322	ETS222-322	196,5	EDV222-322	180,5	ETC222-322	260,5
EDH222-322	EFS222-322	ETS222-322	196,5	EDV222-322	180,5	ETC222-322	260,5
EDH224-324	EFS224-324	ETS224-324	199	EDV224-324	185	ETC224-324	270
EDH224-324	EFS224-324	ETS224-324	199	EDV224-324	185	ETC224-324	270
EDH224-324	EFS224-324	ETS224-324	199	EDV224-324	185	ETC224-324	270
EDH224-324	EFS224-324	ETS224-324	199	EDV224-324	185	ETC224-324	270
EDH224-324	EFS224-324	ETS224-324	199	EDV224-324	185	ETC224-324	270
EDH224-324	EFS224-324	ETS224-324	199	EDV224-324	185	ETC224-324	270
EDH224-324	EFS224-324	ETS224-324	201,5	EDV224-324	187,5	ETC224-324	272,5
EDH224-324	EFS224-324	ETS224-324	201,5	EDV224-324	187,5	ETC224-324	272,5
EDH224-324	EFS224-324	ETS224-324	201,5	EDV224-324	187,5	ETC224-324	272,5
EDH226	EFS226	ETS226	207	EDV226	190	ETC226	275
EDH226	EFS226	ETS226	207	EDV226	190	ETC226	275
EDH226	EFS226	ETS226	207	EDV226	190	ETC226	275
EDH226	EFS226	ETS226	207	EDV226	190	ETC226	275
EDH226	EFS226	ETS226	207	EDV226	190	ETC226	275
EDH226	-	ETS226	207	EDV226	190	ETC226	275
EDH228	EFS228	ETS228	222	EDV228	205	ETC228	290
EDH228	EFS228	ETS228	222	EDV228	205	ETC228	290
EDH228	EFS228	ETS228	222	EDV228	205	ETC228	290
EDH228	EFS228	ETS228	222	EDV228	205	ETC228	290
EDH230	-	ETS230	237	EDV230	220	ETC230	310
EDH230	-	ETS230	237	EDV230	220	ETC230	310
EDH230	-	ETS230	237	EDV230	220	ETC230	310
EDH230	-	ETS230	237	EDV230	220	ETC230	310
EDH232	-	ETS232	252	EDV232	235	ETC232	325
EDH232	-	ETS232	252	EDV232	235	ETC232	325
EDH232	-	ETS232	252	EDV232	235	ETC232	325
EDH232	-	ETS232	252	EDV232	235	ETC232	325

Schaeffler Technologies
AG & Co. KG
Georg-Schäfer-Straße 30
97421 Schweinfurt
Germany
www.schaeffler.de/en
info.de@schaeffler.com

In Germany:
Phone 0180 5003872
From other countries:
Phone +49 9721 91-0

All information has been carefully compiled and checked by us, but we cannot guarantee complete accuracy. We reserve the right to make corrections. Therefore, please always check whether more up-to-date or amended information is available. This publication supersedes all deviating information from older publications. Printing, including excerpts, is only permitted with our approval.
© Schaeffler Technologies AG & Co. KG
TPI 247 / 02 / en-GB / DE / 2024-05